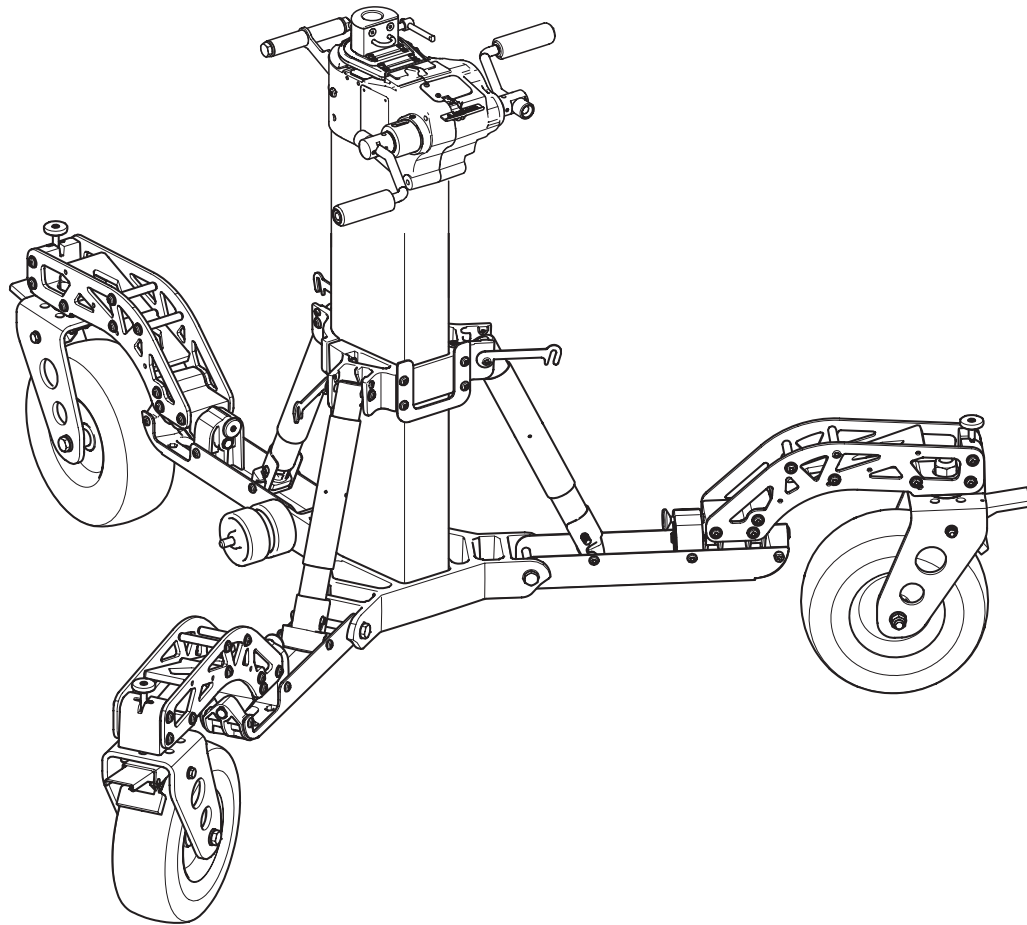
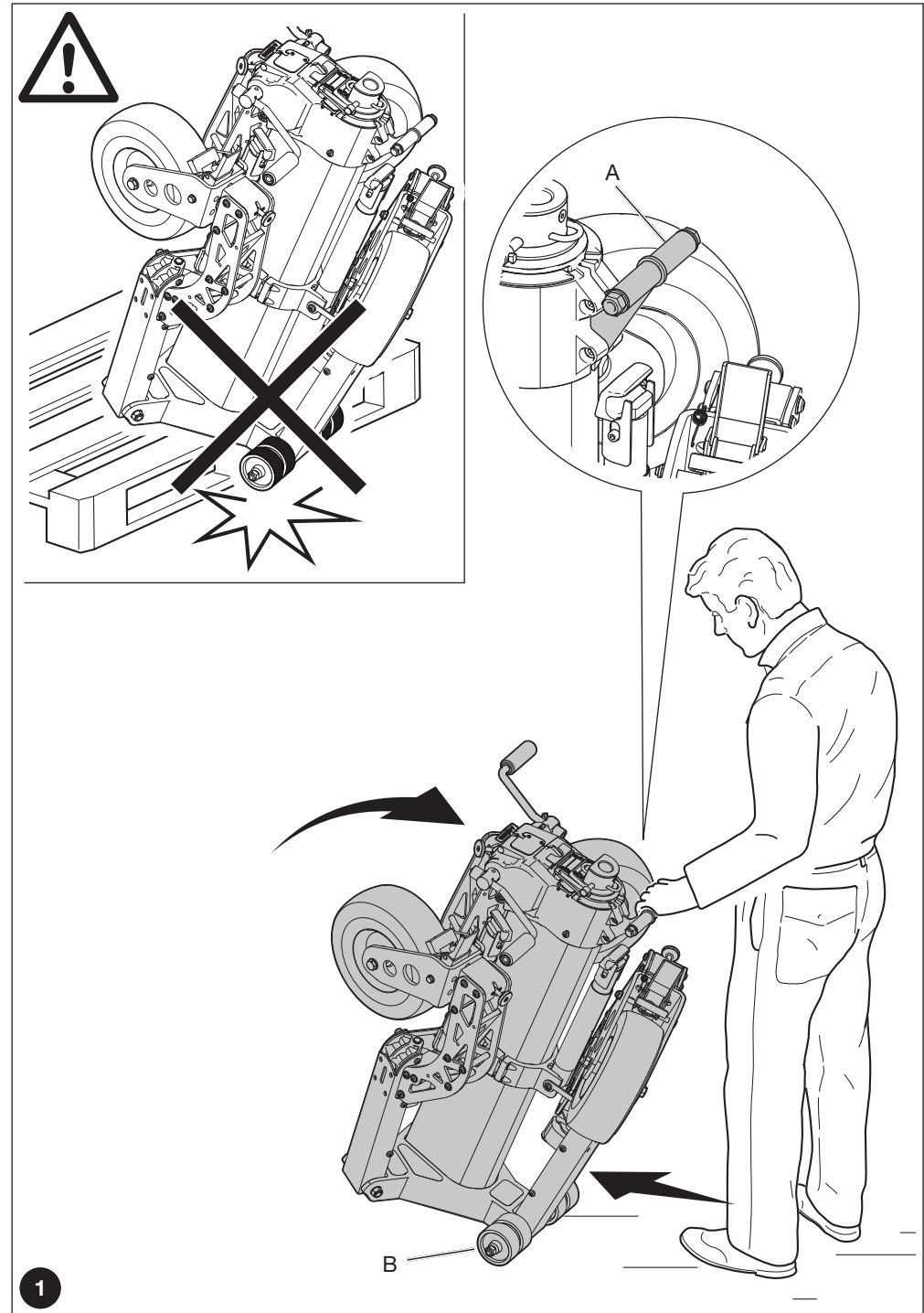
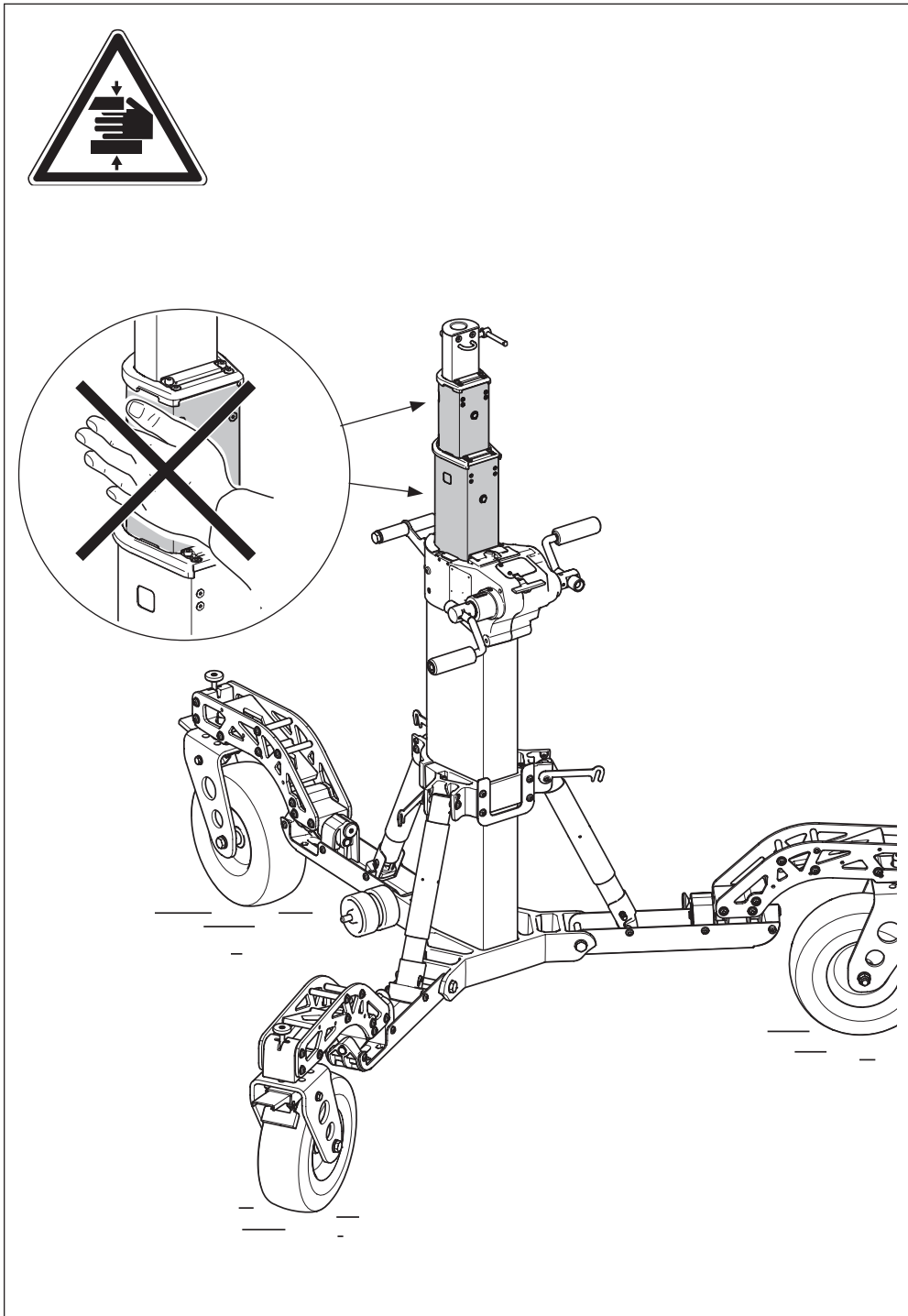
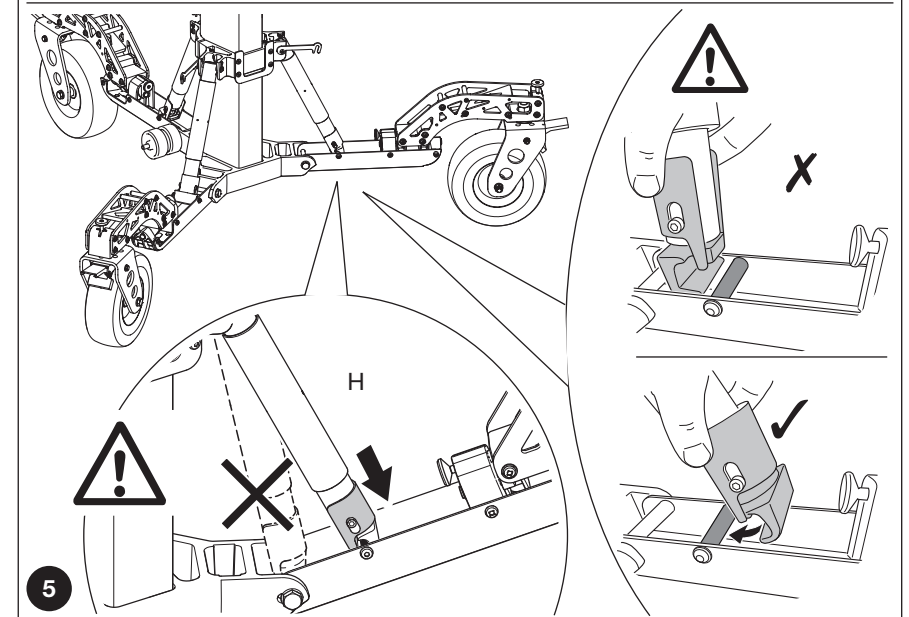
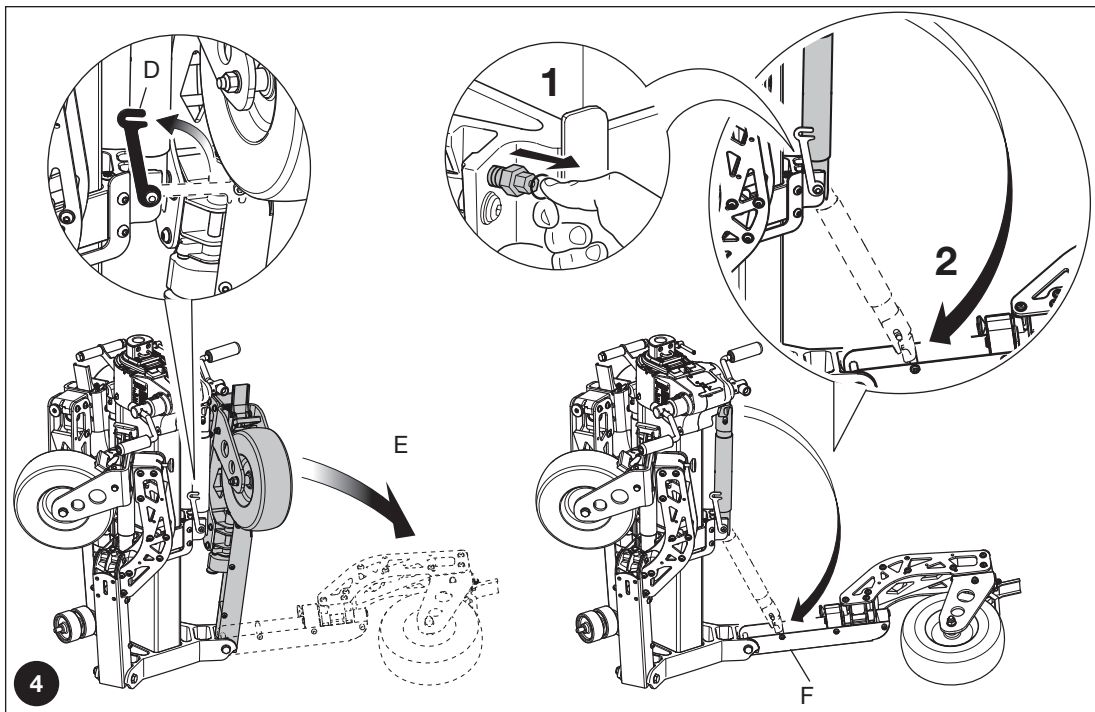
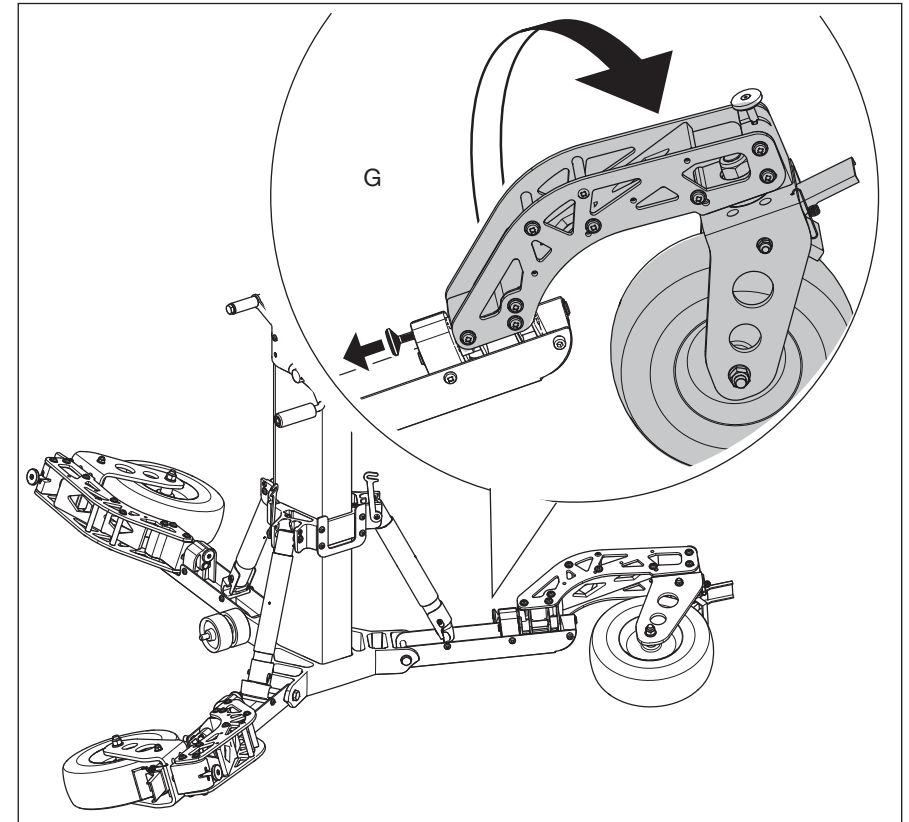
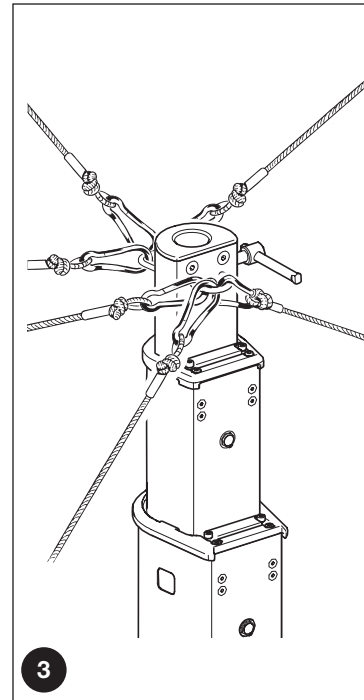
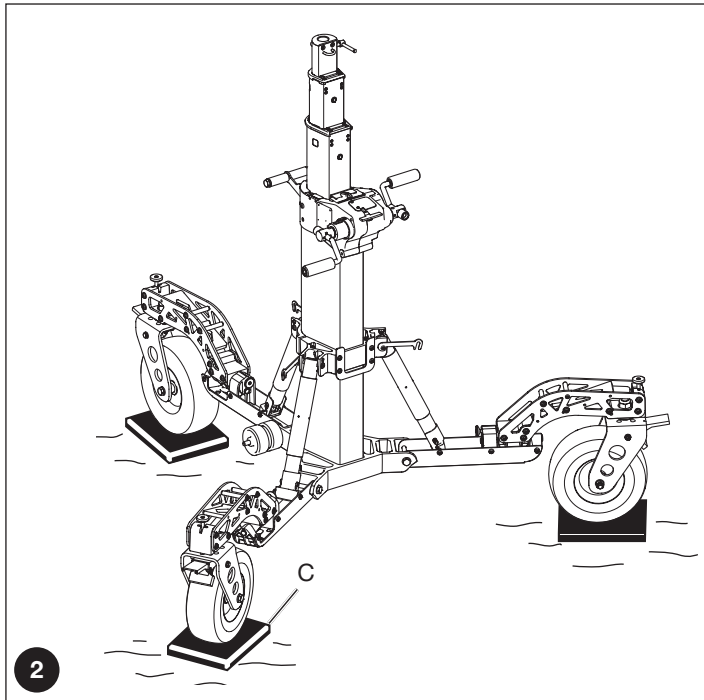


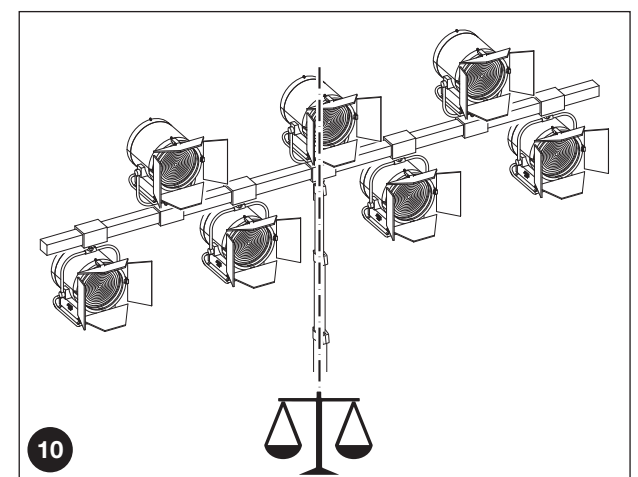
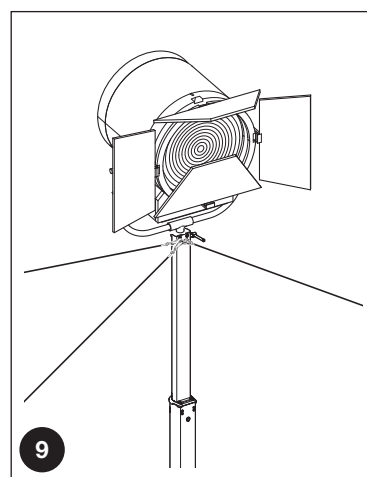
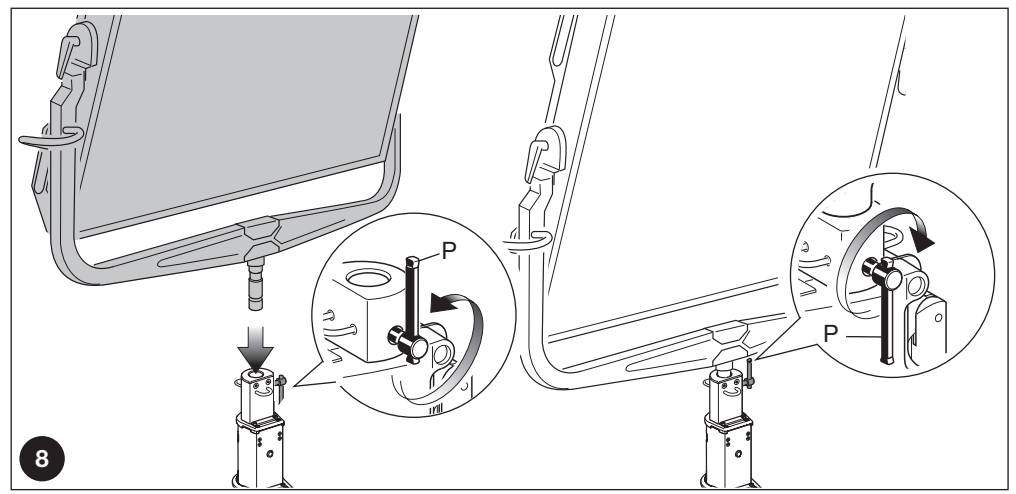
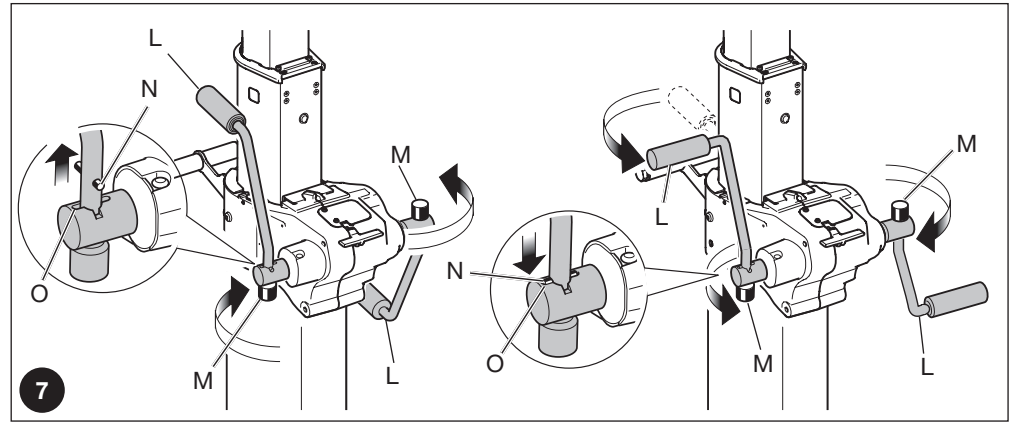
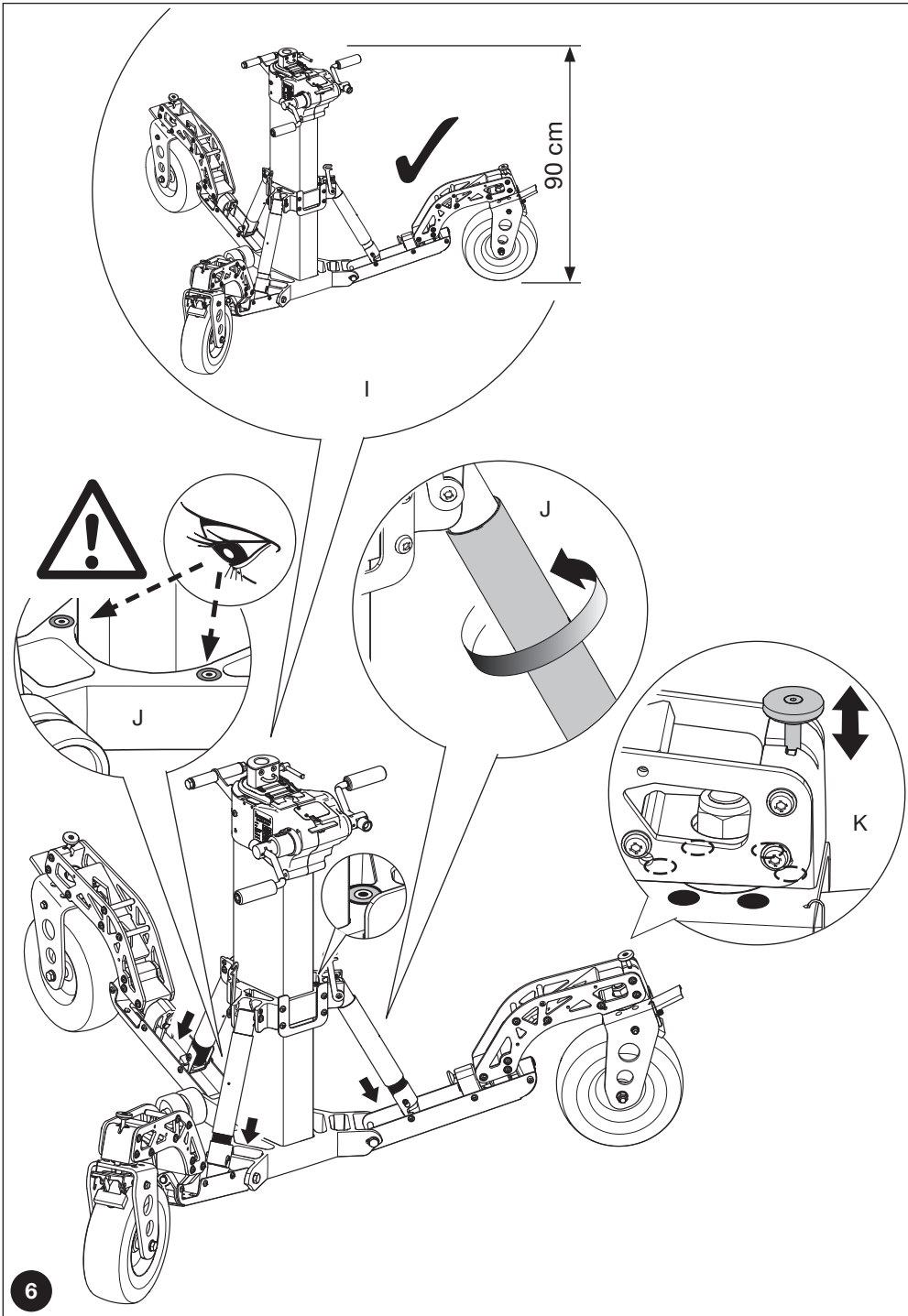
AVENGER

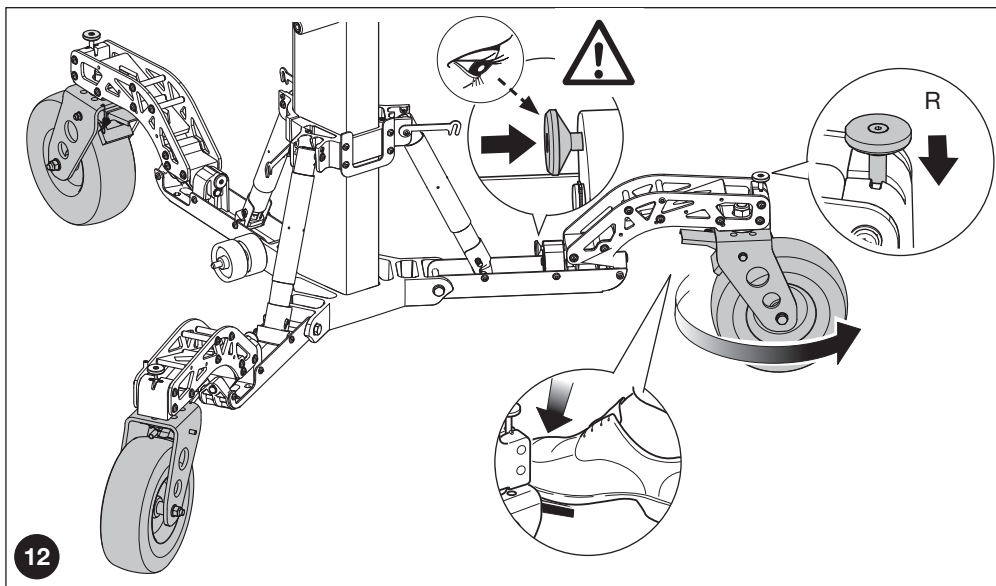
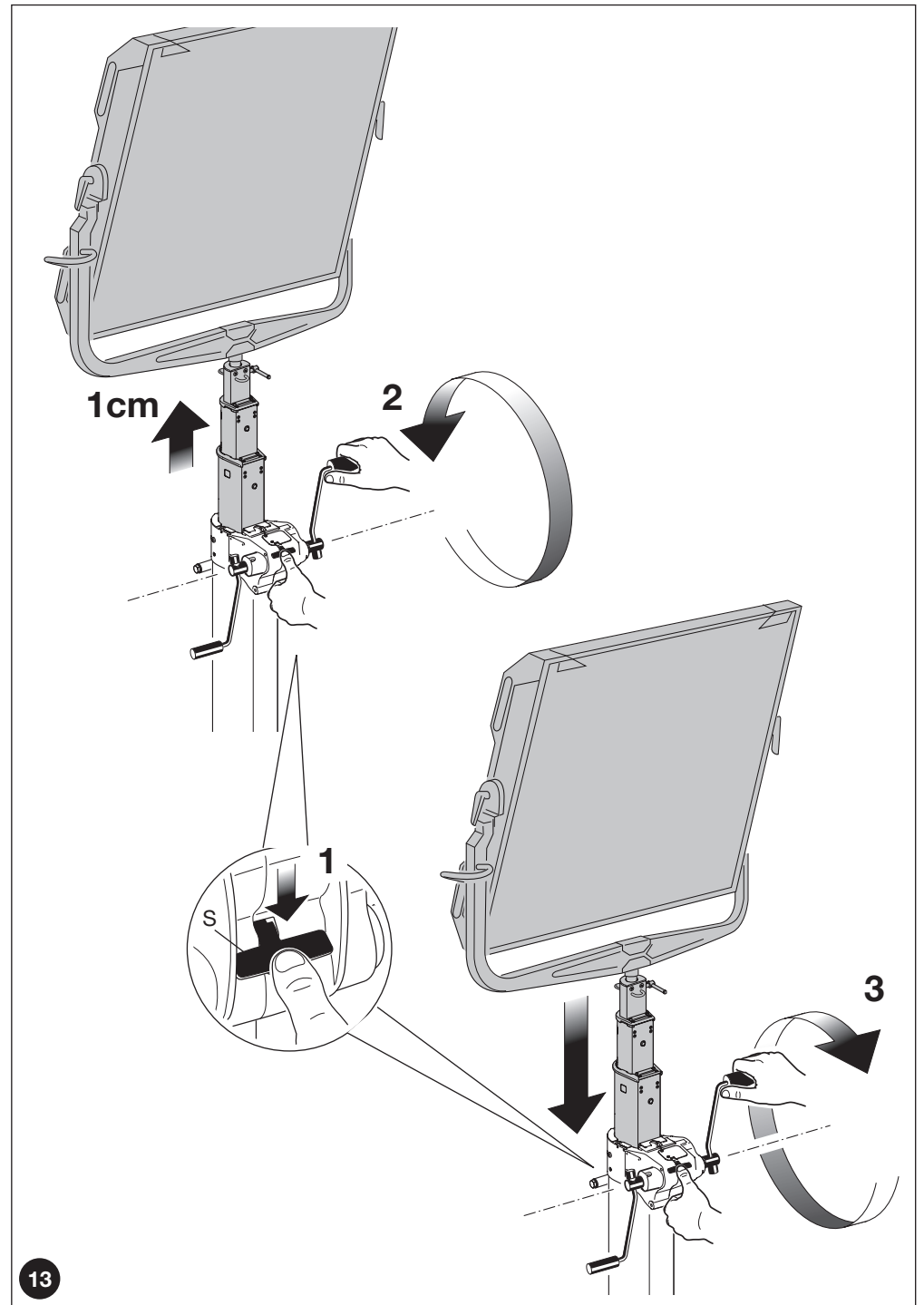
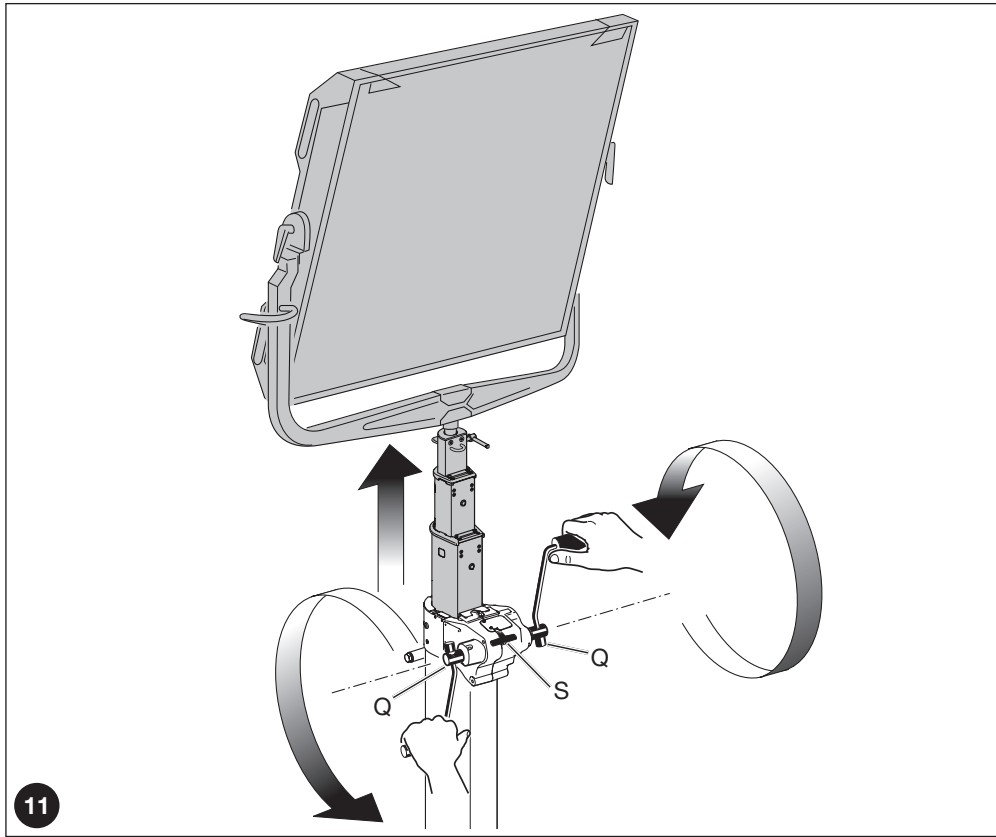
INSTRUCTIONS
B7030 BUCCANEER

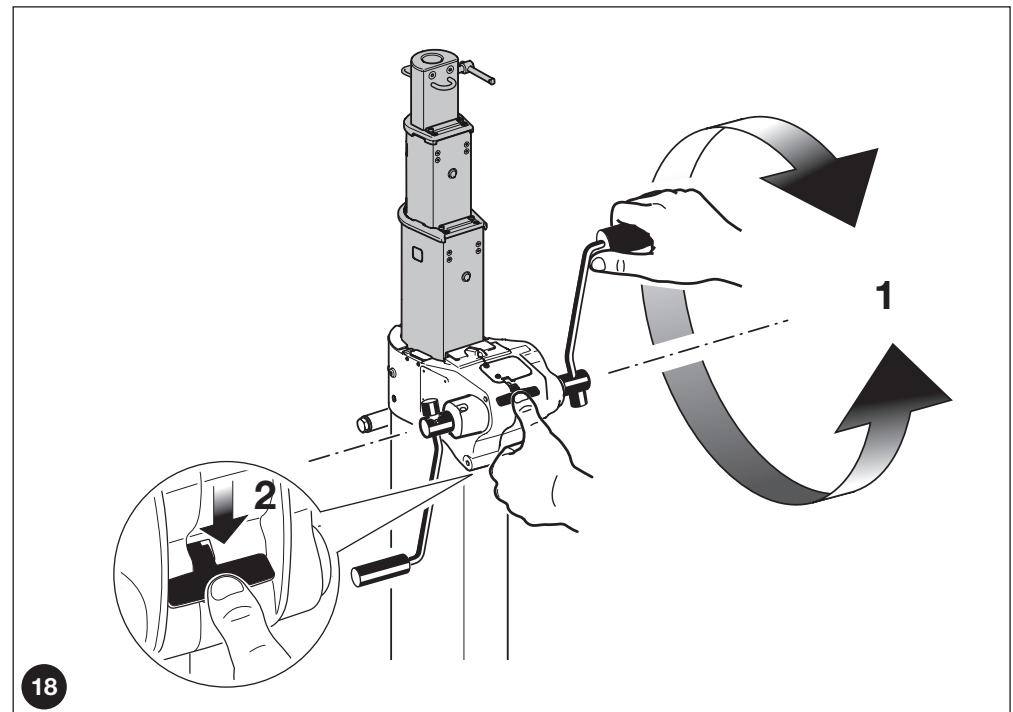
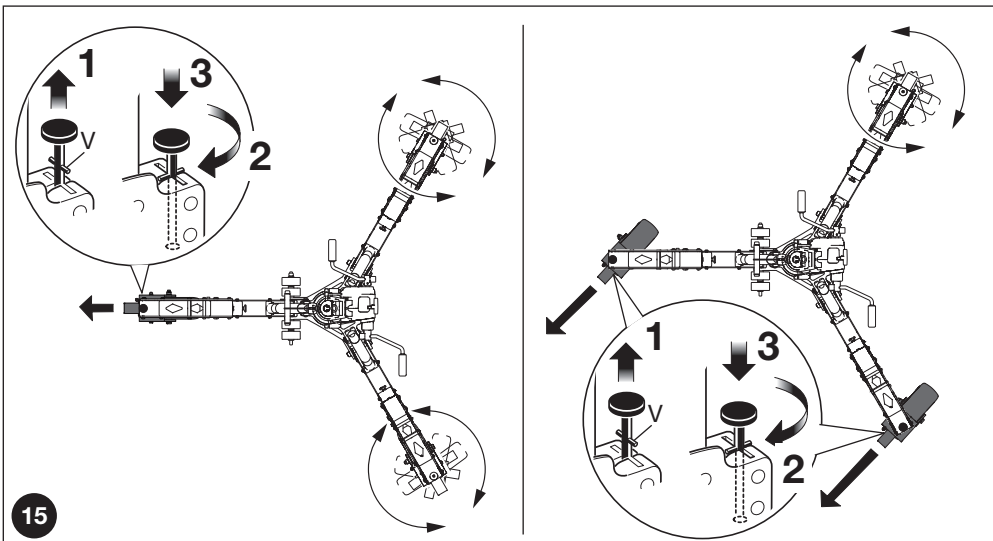
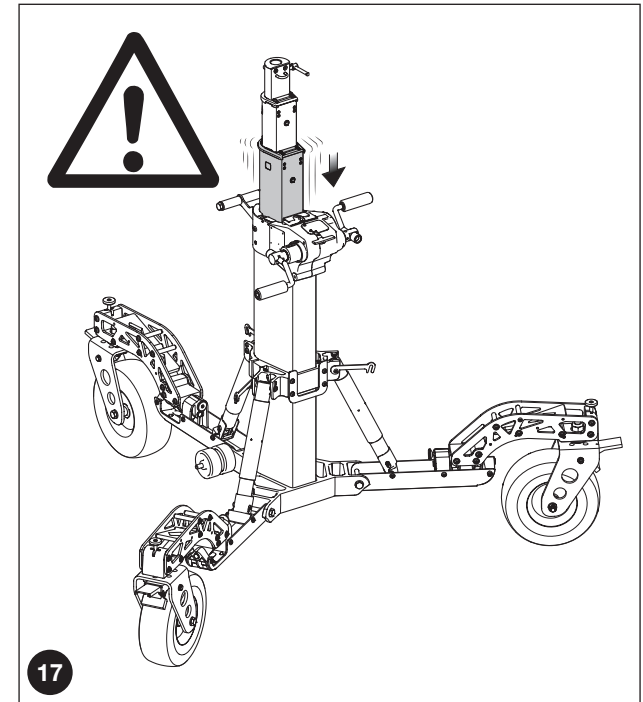
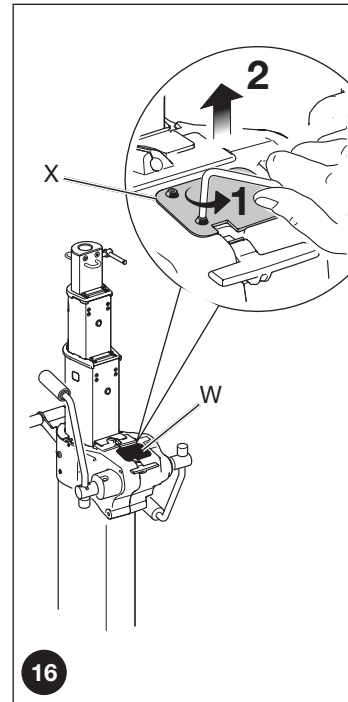
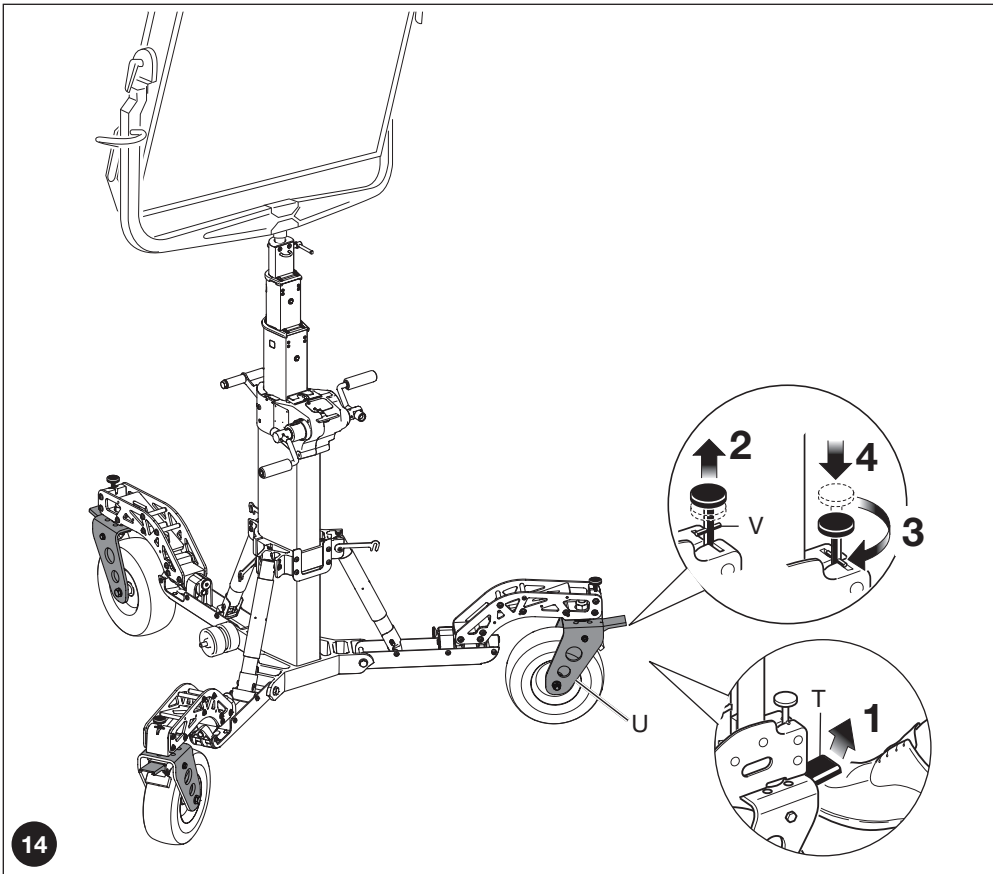


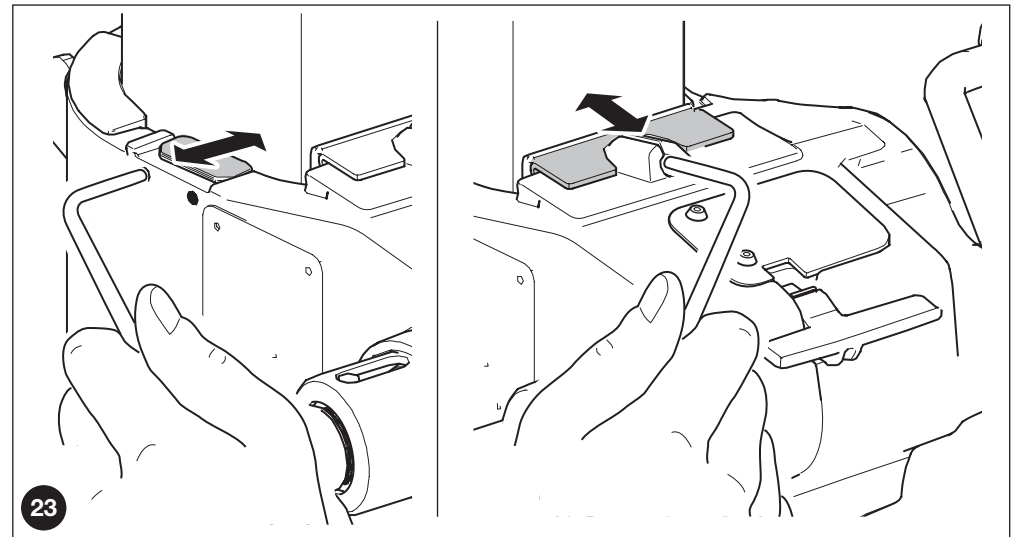
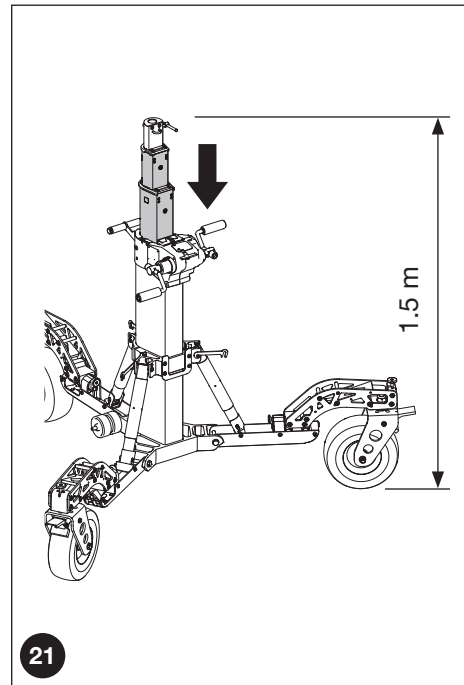
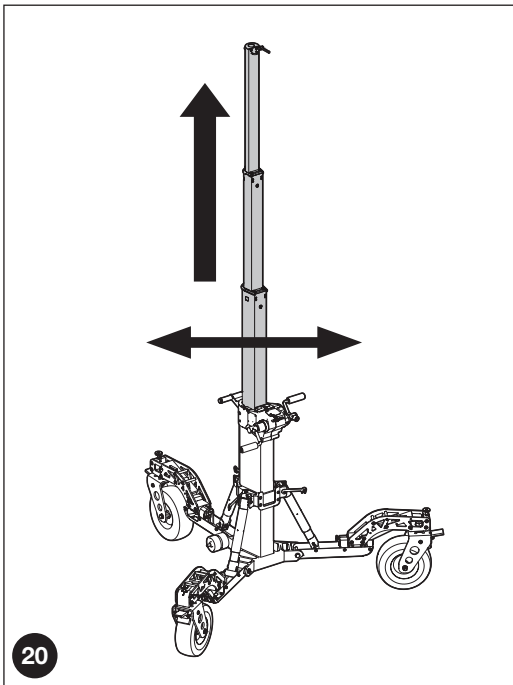
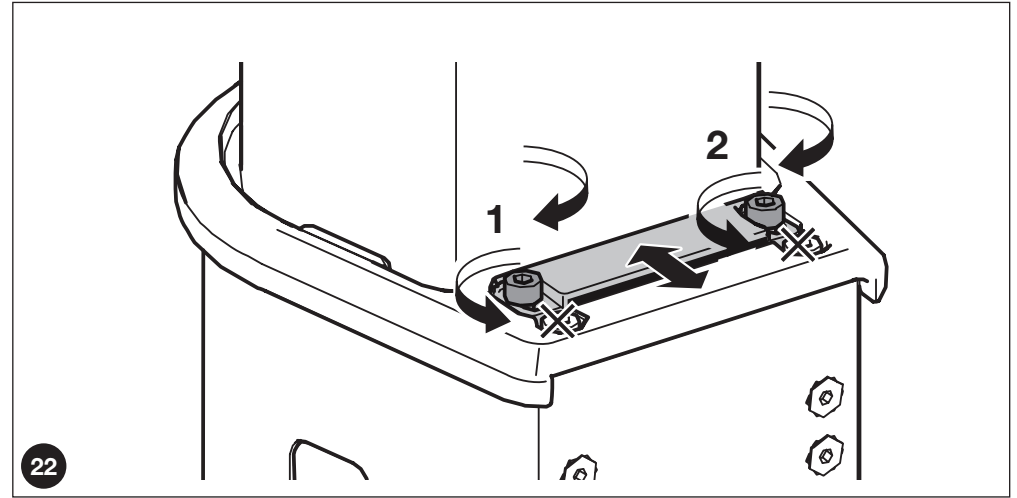
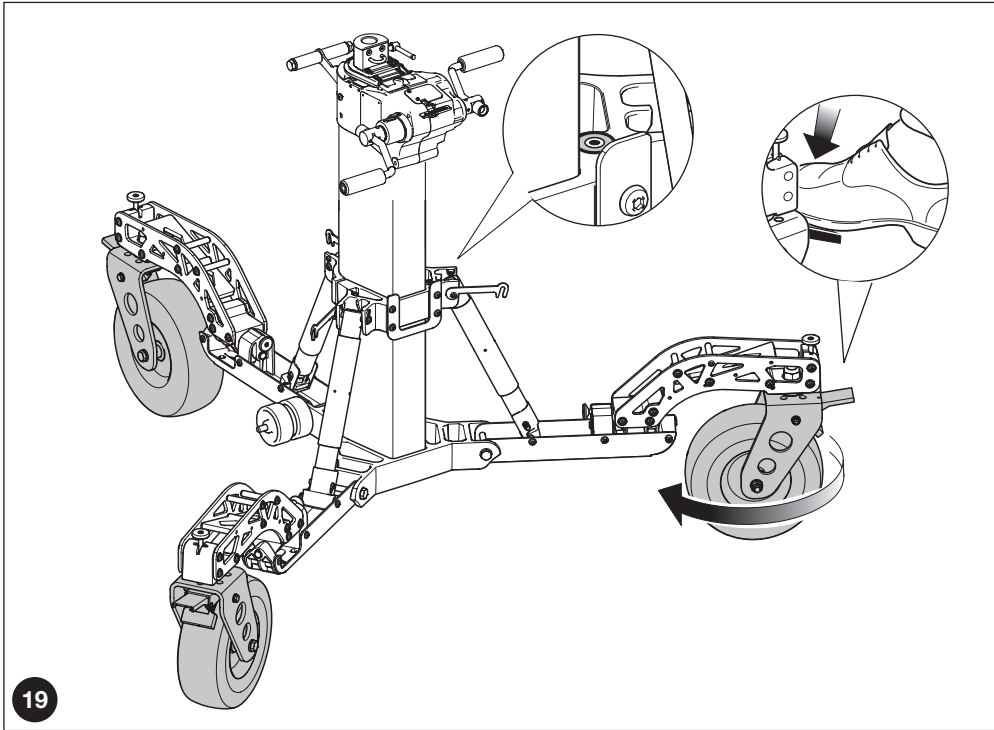


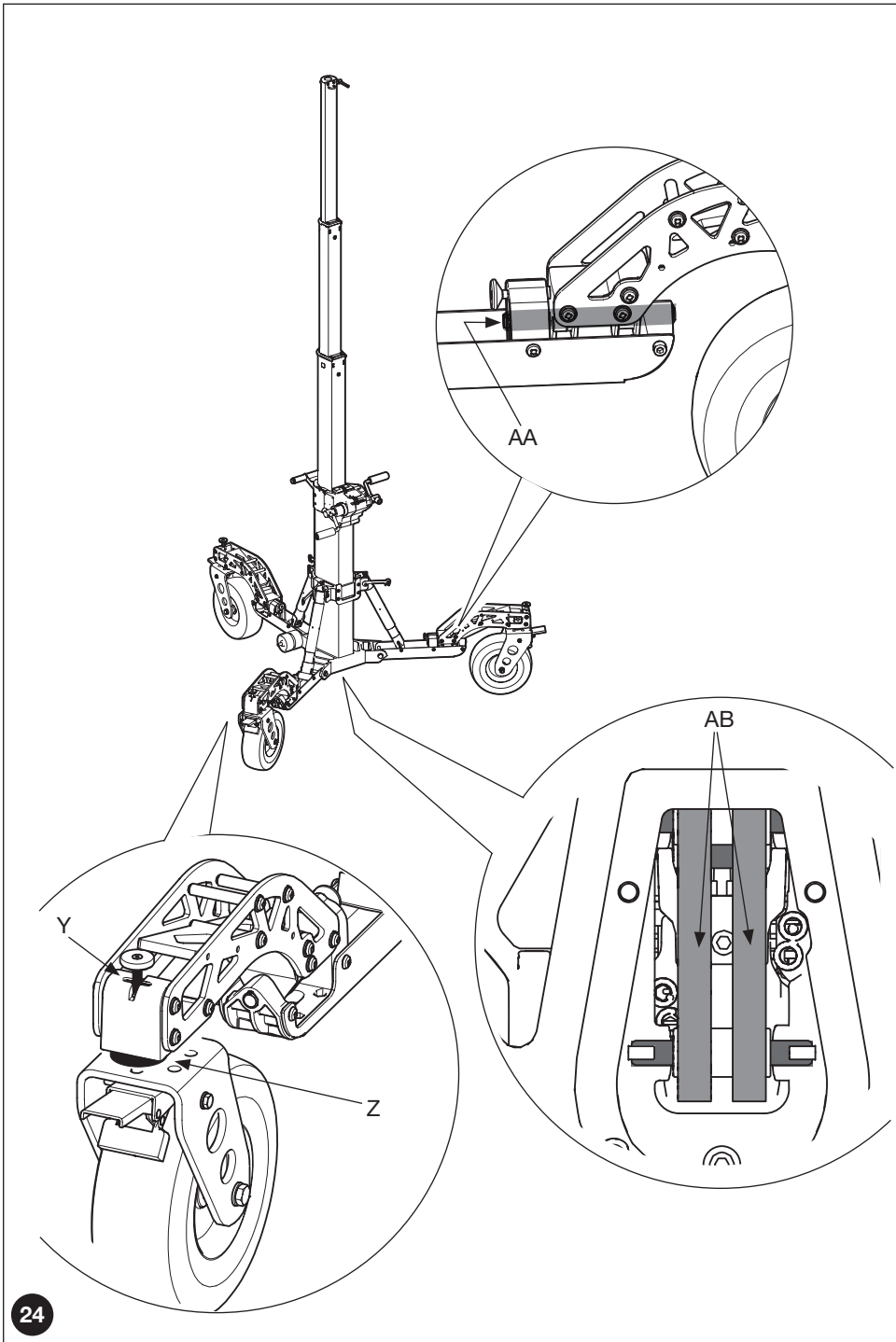




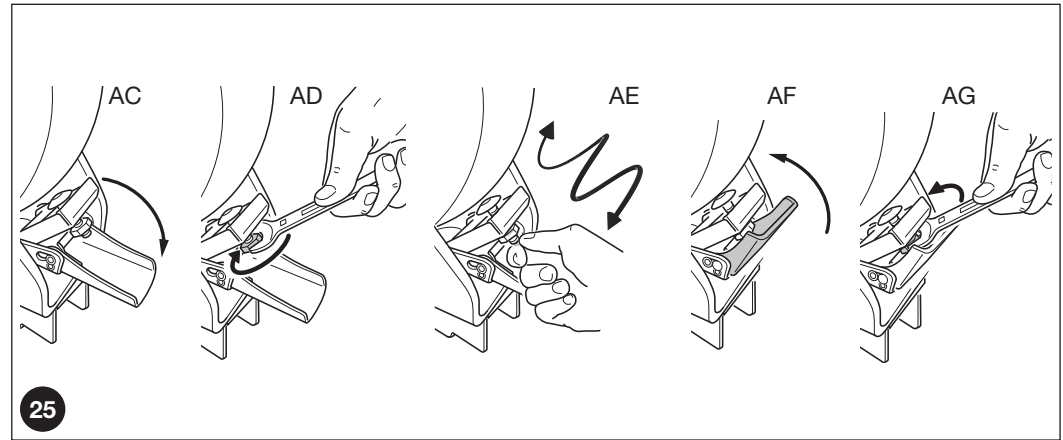




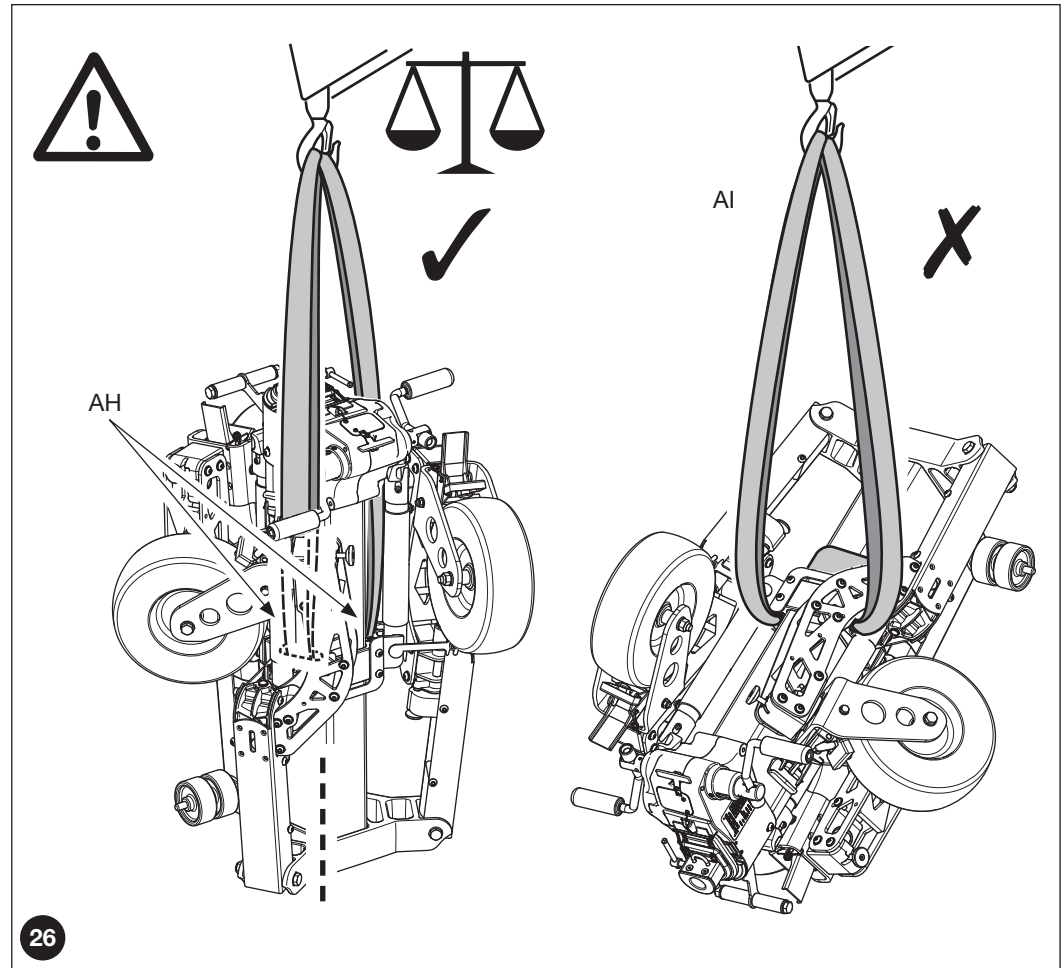




24



25



26

INDEX

GB	pag. 10 - 12
IT	pag. 13 - 15
FR	pag. 16 - 18
DE	pag. 19 - 21
ES	pag. 22 - 24
JA	pag. 25 - 27
KO	pag. 28 - 30
CH	pag. 31 - 33
RU	pag. 33 - 36

INTENDED USE

The stand is designed to support luminaires for film and broadcast productions on location or in the studio and intended to be used by a professional full trained user only.

SPECIFICATIONS FOR SAFE OPERATION

1. Before using this product, read these instructions carefully
2. Ensure to use the correct personal protective equipment such as safety shoes and working gloves during set up and use of the product.
3. Maximum load: 80kg (176lb)
4. Operation temperature range -20° - +60°C
5. Ensure that the ground on which this product is being used is stable and can withstand the weight of the stand and the payload of the item attached.
6. Before positioning the stand and attempting any kind of adjustment/movement of the stand, ensure that there are no obstacles, electric, cables or hazards located in the area occupied by the stand and its load.
7. This product should only be used by experienced personnel
8. Ensure the central column is perfectly level before attempting to raise any item that is attached.
9. Ensure the attached item is correctly locked on and completely stable.
10. All loads should be balanced especially when using T Bars.
11. For outside use with a height exceeding 2.5m (98") or in any situation with windy conditions it is advised to set up the product utilising anchor wires and or wind brace kits (Not included. 087WBK sold separately).
12. Periodically check that the stand is in good condition (see chapter "MAINTENANCE")
13. To prevent potential injury, keep hands and other parts of the body clear of the moving parts (see image)
14. The operator should always accompany the stand and never leave unattended. This especially includes when moving the stand.
15. When ascending or descending steps or obstacles more than 7cm (2.75 inches) high the stand should be lifted over the obstacle to avoid impacts that could damage or effect the performance of the stand
16. When the stand is being moved the user should retain control by keeping hold of it and not allowing it to roll away freely or "freewheel".
17. Ensure the wheel assembly locking pin (fig. 12) is fully secured in it's locked position before moving the stand or raising the column.
18. The stand is designed to be moved when the legs are deployed in accordance with the base set up section (fig. 4-5-6) across smooth undulating surfaces such as; hard flooring, gravel or grass, the stand should not be pushed across more aggressively levelled surfaces or over large obstacles such as rocks or kerbs.
19. The column should be fully lowered when moving the stand at all times.

DISCLAIMER


The manufacturer accepts no responsibility for:

- Any use not compliant with the present instructions.
- Any use by untrained personnel.
- Any case when the safety standards are infringed.
- Any case of repair by using materials/machining other than those specified by the manufacturer.

TRANSPORTING 1

Use the handle "A" to manoeuvre the stand when in its folded configuration via the transportation wheels "B"

WARNING

 For transport, users should only hold the stand by the handles provided. Do not use the column sections or the crank mechanism to manoeuvre the stand

OPERATING ENVIRONMENT 2 & 3

The stand should only be used on level surfaces.

The stand features levelling legs that can compensate for marginal differences in ground level.

The stand must be set up on firm ground capable of taking both the weight of the stand and its load without

any of the wheels sinking in, which could cause the stand to tip over. If the ground is soft, place a board "C" (fig. 2) under the wheels.

During outside use with a height exceeding 2.5 m (98") or in any situation with windy conditions it is advised to set up the product utilising anchor wires and or wind brace kit (fig. 3) (Not included. 087WBK sold separately).


SET UP**OPEN THE BASE & LEVELLING 4 5 & 6**


1. Unlatch the securing hook to release the leg (repeat for other two legs) "D" (fig. 4)
2. Lower the leg carefully to the ground (repeat for other two legs) "E" (fig. 4)
3. Release the levelling leg by pulling the spring plunger outwards and lowering the leg from the vertical position (repeat for other two legs) "F" (fig 4)
4. Before hooking the levelling leg to the base, check that the device is correctly reset:
 - i) Rotate the leg counter-clockwise by turning the sleeved section until it stops.
 - ii) Whilst holding the rubber cover, turn the upper part of the levelling leg clockwise until it reaches the stop. The levelling leg is now at its shortest position and is ready for attachment to the base.
5. Pull out the locking pin and rotate the wheel assembly to the vertical position (repeat for other two legs) "G" (fig. 5)
6. Attach the levelling leg to the base by pulling up the safety catch and fastening to location "H" (fig. 5) (repeat for other two legs)
7. In this position you can load the stand with the desired luminaire utilising the low loading height feature. (Please see "LOADING THE STAND") "I" (fig. 6)
8. Turn the levelling legs to raise the stand and level the base. Using the lower two levelling bubbles as a reference ensure that the bubble does not leave the central marker in order to prevent potential tipping of the stand and its mounted equipment "J" (fig. 6)


Note: The wheels plate "K" (fig. 6) features 6 hole positions in order to choose the wheel direction.


WARNING


 Ensure the brakes are working correctly before use "R" (Fig 12)


 When the stand is not being moved the brakes should always be engaged.

 Ensure to have the product correctly levelled (see: 'OPEN THE BASE & LEVELLING') before raising up the column.

 When the levelling leg assemblies are unhooked from the column, they can move freely. To prevent potential injury, keep hands and other parts of the body clear of the moving parts "D" (fig. 4)

 When the levelling leg assemblies safety catches are unhooked from the base, they can move freely. To prevent potential injury, keep hands and other parts of the body clear of the moving parts (F) (fig. 4)

 When positioning and rotating the wheel assembly ensure to keep hands and other parts of the body clear of the moving parts "G" (fig. 5)

 When securing the wheel assembly, ensure the locking pin is correctly located in its seat to prevent it from slipping out of position and potentially causing the release of wheel assembly.

HANDLES SET UP 7

The stand is supplied with handles "L" turned inwards.
Rotate the handles "L" into operation position by:

- 1) Unfastening the set screws "M" anticlockwise
- 2) Raise the levers "L" in order to unhook the pin "N" from the channel of the handle axle "O"
- 3) Rotate handle "L" into operating position
- 4-5) Lock handle "L" in position by tightening setscrew "M" clockwise so pin "N" is secured into the channel of the handle axle "O".

LOADING THE STAND 8 9 & 10

Ensure the stand is in the working position, levelled vertical axis.
Unscrew the locking screw "P" (fig. 8) before inserting the luminaire spigot into the 1-1/8" (28 mm) socket at the top of the stand. To secure in position fasten the locking screw "P" (fig. 8).
On stands operating at heights in excess of 2.5m (98") or in any situation with windy conditions it is advised to set up the product utilising anchor wires and or wind brace kit (fig. 9) (Not included. 087WBK sold separately). All loads should be balanced especially when using T-bars etc. (fig. 10).

WARNING

Do NOT tilt the stand to load the equipment



Check the integrity of the product before putting on the load



Ensure to have fastened the locking screw "P" (fig. 8) before raising the column



Ensure the stand will not be obstructed when raised to the desired height.

RAISING THE COLUMNS OF THE STAND 11 & 12

Ensure the stand will not be obstructed when raised to the desired height.
Before you adjust the height check the following:

- Ensure the stand is correctly set up in working position and correctly levelled
- Ensure the load does not exceed the max load: 80kg (176lb)
- Ensure the luminaire or extension arms are correctly balanced and locked
- Ensure the stand will not be obstructed when raised to the desired height.
- Ensure to lock the wheels and apply the brakes



Check that the luminaires are not switched on while raising or lowering the stand and that the electric cables are not in contact with the column in order to avoid accidental damage.



Make sure you have correctly tightened knob "Q" (fig. 11) to prevent it from coming loose and falling accidentally.

When in position turn the wheel outwards to achieve the maximum stability. (12)

Lock the wheels and apply the brakes "R" (Fig 12)

Raise the load by turning handles "Q" (Fig. 11) in a clockwise direction, the red button "S" (fig. 11) which is the secondary safety lock will vibrate as you raise the column (DO NOT PRESS IT DURING RAISING).

Note: If there are difficulties in raising the columns check the following:

- Is the load in excess of that specified for the stand.
- Have any columns been damaged in transit.
- Is there an obstruction (ceiling, balustrade etc.).

WARNING

DO NOT MOVE THE STAND WHEN THE LOAD HAS BEEN RAISED.

LOWERING THE COLUMNS OF THE STAND 13

Ensure there are no obstructions before lowering the stand.

Lower the columns as follow

Press red button down, and at the same time raise the column slightly (1cm).

Whilst pressing the red button "S" (fig. 13) down, rotate with force one handle in an anticlockwise direction.

MANOEUVRING THE STAND ONCE SET UP 14 & 15

Release the wheel locks "T" (fig. 14).

Release the wheel direction locking position "U" by pulling out pin "V" and rotate it 90°.

The wheel direction locking position "U" allows to define a moving direction: it is possible to lock one or two wheels in order to choose the direction (fig. 15).



DO NOT MOVE THE STAND WHEN THE LOAD HAS BEEN RAISED.



IF THE STAND IS IN AN INCLINED PLANE WITH A SLOPE GREATER THAN 5°

- Remove the weight before moving the stand
- Do not move the stand in the set-up configuration, instead fold the stand into folded configuration in order to safely move the stand.



Do not climb or stand on the base of the stand

FOLDING THE STAND

To fold the stand reverse steps "HANDLES SET UP" and "OPEN THE BASE & LEVELLING"

MAINTENANCE AND SERVICE TIPS 16 17 & 18

For each greasing activity refer to chapter "GREASING OPERATION"

Periodically check that the chains that raise and lower the columns are in good condition via inspection holes "W" in the gear box after removing caps "X".

Periodically check that the movement of the columns are smooth and regular by fully raising and lowering the stand.

Any anomalies, sudden movements of the columns (fig. 17) must be reported to the manufacturer or authorised service centre.

After long periods of storage, we recommend a thorough cleaning and inspection of the stand.

Regularly remove dirt and debris from the locking screws and sliding parts.

Do not use metallic or sharp tools during cleaning operations.

Regularly check the state of the stand and of the crankcases by moving the columns without load. (fig. 18)

OPERATING IN A SANDY LOCATION (BEACHES, DESERT, ETC.)

Remove lubricating grease from joints, threads and bearings to prevent sand mixing with the grease adversely affecting the operation of the stand.

Note: After the stand is used in sandy conditions ensure that the stand is cleaned and that the lubricating grease is restored.

MUDDY AND SALTY LOCATIONS

Before the stand is used in a muddy or salty environment, all joints, threads, moving parts of the stand should be greased. After working in this environment, the stand must be thoroughly cleaned.

OPERATING IN COLD AND DAMP LOCATIONS

Make sure all joints threads and bearings are greased. If the stand is to be operated for a long period at below freezing temperatures, take care to ensure the safety lever "S" (fig. 13) is fully operative.

To check this, crank the stand up a few centimetres and press down the safety lever;

repeat this action a few times to ensure it functions correctly.

If the columns or the mechanism are iced up, try to de-ice but do not expose to direct flame or use a de-icing fluid (joints and bearings could be affected by this).

SPARE PARTS

In the event on the product becoming defective, the unit should be returned to an authorised Videndum Media Solutions service agent.

COLUMN REGULATION PROCEDURE 19 20 21 22 & 23

1. Make sure you have the stand with the column closed, with the legs open and level (use the bubble on the upper cross).
2. Turn the wheels inwards to a radial position and activate the brake to prevent shifting. (fig. 19)
3. Extend the column to the maximum height without load and move it slightly back and forth, right and left with the handle to see if it is well guided or if there are any plays. (fig. 20)
4. Lower the column until the guides are accessible but without completely closing everything. (fig. 21)
5. To adjust the various sections of the column, unscrew the screws of guides 1 and 2, advance the guide to the required position and screw the guides back on. Do this on the desired columns. (fig. 22)
6. To recover the clearances of the base column, screw the dowels present on the side of the column (fig. 23) and reduce the lateral clearances. Act on the central grain (fig. 23). To recover the slack and adjust the column in the front direction.
7. Once you have made the adjustment and made sure you have closed all the screws, extend the column and check that the adjustment has been successful, if not repeat the procedure.

GREASING OPERATION 24

To grease the indicated area use a general grease spray.

For lifting chain use a general grease spray for chains

1. Wheel rotation locking pin "Y"
2. Thrust bearing between the wheel bracket and moveable leg stirrup "Z"
3. Pivot pin of the moveable leg stirrup "AA"
4. Lifting Chains "AB"

BRAKE MAINTENANCE 25

Check the correct functioning of the braked wheels by attempting to force the movement of the wheel with the brake applied, if the wheel starts moving when force is applied the brake must be adjusted:

1. Release the brake "AC"
2. Unlock the brake pad adjustment by unscrewing the locking nut "AD"
3. Adjust the brake pad by tightening or loosening the threaded pin until the pad touches the wheel, then move the brake pad away from the wheel by loosening the threaded pin by ½ a turn "AE"
4. Engage the brake by pushing the lever and then lock the brake pad in position by tightening the locking nut "AF" and "AG"
5. Release the brake again and make sure the wheel spins freely without touching the brake pad
6. Check the correct brake adjustment as explained above

Repeat the check for each wheel

LIFTING THE STAND WITH A WINCH OR LIFTING GEAR 26

To move the stand using a winch or other lifting gear, lift or lower the stand with a webbing sling (not included) around and through the upper spider "AH"

While lifting or lowering, verify that the stand is well balanced and that the legs are securely fastened "AI"

Never load webbing slings beyond their maximum carrying capacity and check that it is correctly fixed to the stand and to the lifting gear.

PRECAUTIONS

Do not use the product beyond the defined operating limitations.

Do not tamper with or modify the product or parts thereof as doing so would compromise the product's operation and/or safety. Using a product that has been damaged, for example due to impact or accidental falls may compromise its safe use.

In such cases, contact your retailer or the manufacturer directly through the customer service section on manfrotto.com.

Dry the product after use in damp conditions to avoid triggering corrosion especially when using it near marine environments.

The product is not designed to be used immersed in liquids.



The stand must not be left unattended or accessible to non-professionals.

EXCLUSION OF LIABILITY

The information contained in this document may be subject to variations over time.

If necessary, please check for updates to this manual in the Products area of the Manfrotto.com or Avenger.com web site or request an updated copy to be sent to you through the Contact us area.

Videndum Media Solutions cannot be held liable for any damage that may, directly or indirectly, derive from people, things or animals, as a consequence of the non-observance of all the instructions in this document (in particular regarding installation, use and maintenance of the product), as well as injuries and damages resulting from improper use or use that goes beyond the normal operating limitations.

Any variation or change made to the product without explicit permission from Videndum Media Solutions shall automatically result in the exclusion of any liability on Videndum Media Solutions' part.

USER INFORMATION

Product disposal and packaging materials used:

Stand: The main structure is made of aluminium and steel; rubber protection

Packaging: Paper, cardboard, polystyrene inserts, polyethylene bags

To dispose of the product and its packaging, please refer to the regulations in force in the country in which the product is being disposed of for the aforementioned materials.

Thank you for purchasing a Videndum Media Solutions product.

Videndum Media Solutions guarantees that its products are suitable for the purpose for which they were designed and free from defects in materials and workmanship. This warranty does not cover the product against damage or improper use.

The duration of the Standard Warranty period is defined by the legislation in force in the country, state or region in which the product is sold.

Please keep a copy of your product's proof of purchase, as it will be requested in case of repair.

The manufacturer reserves the right to make any changes to the product described in this manual, at any time and without notice.

How to extend the warranty coverage:

In addition to the mandatory standard cover referred to above, Videndum Media Solutions offers a warranty extension of up to 5 years from this product's date of purchase. The warranty extension does not affect standard mandatory coverage. To benefit from the warranty extension, you are required to register your purchase on our web site: <https://warranty.videndummediasolutions.com>.

USO PREVISTO

Lo stativo è progettato per sostenere apparecchi di illuminazione per produzioni cinematografiche e televisive in location o in studio e per essere usato esclusivamente da un utilizzatore esperto.

SPECIFICHE PER L'UTILIZZO IN SICUREZZA

1. Prima di utilizzare questo prodotto, leggere attentamente le istruzioni
2. Assicurarsi di utilizzare i dispositivi di protezione individuale corretti come scarpe antinfortunistiche e guanti da lavoro durante il montaggio e l'utilizzo del prodotto.
3. Portata massima: 80 kg
4. Range di temperatura di utilizzo -20 °C - +60 °C
5. Assicurarsi che la superficie su cui viene utilizzato il prodotto sia stabile e in grado di sostenere il peso dello stativo e la portata dell'accessorio agganciato.
6. Prima di posizionare lo stativo e di tentare qualunque tipo di regolazione/movimento dello stativo, assicurarsi che non vi siano ostacoli, materiale elettrico, cavi o altro che possa porre un rischio per la sicurezza nell'area occupata dallo stativo e dal suo carico.
7. Questo prodotto deve essere utilizzato esclusivamente da personale esperto
8. Accertarsi che la colonna centrale sia perfettamente in piano prima di tentare di alzare qualsiasi accessorio ad essa agganciato.
9. Accertarsi che l'accessorio agganciato sia bloccato correttamente e perfettamente stabile.
10. Tutti i carichi devono essere bilanciati, in particolare quando si utilizzano barre a T.
11. Per utilizzo all'aperto con un'altezza superiore a 2,5 m o in condizioni di vento, è consigliato montare il prodotto utilizzando cavi di ancoraggio e/o kit cavi per controventatura (Non incluso. 087WBK venduto separatamente).
12. Controllare periodicamente che lo stativo sia in buone condizioni (vedere il capitolo "MANUTENZIONE")
13. Per prevenire potenziali infortuni, mantenere mani e altre parti del corpo lontane dalle parti in movimento (vedere immagine)
14. L'operatore deve sempre accompagnare lo stativo e non lasciarlo mai incustodito. Questo vale soprattutto per lo spostamento dello stativo.
15. In caso di salita o discesa da scalini o ostacoli più alti di 7 cm, lo stativo deve essere sollevato sopra l'ostacolo per evitare impatti che potrebbero danneggiarlo o comprometterne il funzionamento
16. Quando lo stativo viene spostato, l'operatore deve mantenerne il controllo, tenendolo fermo e non lasciandolo rotolare liberamente o "a ruota libera".
17. Prima di spostare lo stativo o di sollevare la colonna, accertarsi che il perno di bloccaggio delle ruote (fig. 12) sia completamente agganciato.
18. Lo stativo è progettato per essere spostato su superfici lisce e leggermente irregolari, come pavimenti duri, ghiaia o erba, quando le gambe sono montate come indicato nella sezione di montaggio della base (fig. 4, 5 e 6); lo stativo non deve essere spinto su superfici molto irregolari o su ostacoli di grandi dimensioni, come pietre o marciapiedi.
19. Quando si sposta lo stativo, la colonna deve essere sempre completamente abbassata.

ESCLUSIONE DI RESPONSABILITÀ

Il produttore non accetta responsabilità per:

- Qualunque utilizzo non conforme alle presenti istruzioni.
- Qualunque utilizzo da parte di personale inesperto.
- Qualunque caso di violazione delle norme di sicurezza.
- Qualunque caso di riparazioni effettuate utilizzando materiali/lavorazioni a macchina differenti da quelli specificati dal produttore.

TRASPORTO 1

Utilizzare la maniglia "A" per manovrare lo stativo quando richiuso tramite le ruote di trasporto "B"

ATTENZIONE

Per il trasporto, gli utilizzatori devono sostenere lo stativo esclusivamente tramite le maniglie fornite. Non utilizzare le sezioni della colonna o il meccanismo a manovella per manovrare lo stativo

AMBIENTE DI UTILIZZO 2 E 3

Lo stativo deve essere utilizzato esclusivamente su superfici in piano.

Lo stativo presenta gambe di livellamento che possono compensare differenze marginali del livello del suolo. Lo stativo deve essere montato su un terreno solido, in grado di sopportare sia il peso dello stativo sia il suo carico senza che nessuna ruota affondi nel terreno, in quanto lo stativo potrebbe ribaltarsi. Se il terreno è morbido posizionare una tavola "C" (fig. 2) sotto le ruote.

Per utilizzo all'aperto con un'altezza superiore a 2,5 m o in condizioni di vento, è consigliato montare il prodotto utilizzando cavi di ancoraggio e/o kit cavi per controventatura (fig. 3) (Non incluso. 087WBK venduto separatamente).

MONTAGGIO**APERTURA DELLA BASE E BILANCIAMENTO 4 5 E 6**

1. Sbloccare il gancio di sicurezza per sganciare la gamba (ripetere per le altre due gambe) "D" (fig. 4)
2. Abbassare la gamba a terra con attenzione (ripetere per le altre due gambe) "E" (fig. 4)
3. Sganciare la gamba di livellamento tirando lo stantuffo e abbassare la gamba dalla posizione verticale (ripetere per le altre due gambe) "F" (fig. 4)
4. Rimuovere il perno di bloccaggio e girare la struttura della ruota in posizione verticale (ripetere per le altre due gambe) "G" (fig. 5)
5. Agganciare la gamba di livellamento alla base sollevando la sicura e fissandola nella sede "H" (fig. 5) (ripetere per le altre due gambe)
6. In questa posizione è possibile caricare lo stativo con gli apparecchi per illuminazione scelti utilizzando la funzione di carico ad altezza ridotta. (Si veda "CARICAMENTO DELLO STATIVO") "I" (fig. 6)
7. Ruotare le gambe di livellamento per alzare lo stativo e bilanciare la base. Utilizzando le due bolle di livellamento inferiori come riferimento assicurarsi che la bolla non si sposti dall'indicatore centrale per evitare che lo stativo e l'attrezzatura agganciata si ribaltino "J" (fig. 6)

Nota: La piastra delle ruote "K" (fig. 6) presenta 6 fori per scegliere l'orientamento della ruota.

ATTENZIONE

Assicurarsi che i fermi funzionino correttamente prima dell'uso "R" (fig. 12)



Quando lo stativo non viene spostato, i fermi devono sempre essere inseriti.



Assicurarsi che il prodotto sia correttamente bilanciato (vedere: 'APERTURA DELLA BASE E LIVELLAMENTO') prima di alzare la colonna.



Quando le gambe di livellamento sono sganciate dalla colonna, possono muoversi liberamente. Per prevenire potenziali infortuni, mantenere mani e altre parti del corpo lontane dalle parti in movimento "D" (fig. 4)



Quando le sicure delle gambe di livellamento sono sganciate dalla base, possono muoversi liberamente. Per prevenire potenziali infortuni, mantenere mani e altre parti del corpo lontane dalle parti in movimento "F" (fig. 4)



Quando si posiziona e gira la ruota assicurarsi di mantenere mani e altre parti del corpo lontane dalle parti in movimento "G" (fig. 5)



Quando si fissano le ruote, assicurarsi che il perno di bloccaggio sia correttamente posizionato nella sua sede per evitare che si muova, sganciando potenzialmente la ruota.

MONTAGGIO DELLE MANIGLIE 7

Lo stativo è dotato di maniglie "L" ruotate verso l'interno.

Ruotare le maniglie "L" nella posizione di utilizzo:


- 1) Ruotando le viti di fissaggio "M" in senso antiorario
- 2) Sollevando le leve "L" in modo da sganciare il perno "N" dalla scanalatura dell'asse della maniglia "O"

- 3) Ruotando la maniglia "L" nella posizione di utilizzo
 4-5) Bloccando la maniglia "L" in posizione stringendo le viti di fissaggio "M" in senso orario, così il perno "N" è fissato in modo sicuro nella scanalatura dell'asse della maniglia "O".

CARICAMENTO DELLO STATIVO 8 9 E 10

Assicurarsi che lo stativo sia in posizione di utilizzo con asse verticale bilanciato.
 Svitare la vite di bloccaggio "P" (fig. 8) prima di inserire lo spigot dell'apparecchio per illuminazione nell'attacco da 1-1/8" (28 mm) nella parte superiore dello stativo. Per fissare in posizione stringere la vite di bloccaggio "P" (fig. 8). Per stativi con un'altezza superiore a 2,5 m o per utilizzo in condizioni di vento, è consigliato montare il prodotto utilizzando cavi di ancoraggio e/o kit cavi per controventatura (fig. 9) (Non incluso. 087WBK venduto separatamente).
 Tutti i carichi devono essere bilanciati, in particolare quando si utilizzano barre a T (fig. 10).

ATTENZIONE

 NON inclinare lo stativo per caricare l'attrezzatura.


 Controllare l'integrità del prodotto prima di caricare l'attrezzatura.


 Assicurarsi di stringere la vite di bloccaggio "P" (fig. 8) prima di alzare la colonna.

 Assicurarsi che lo stativo non incontri ostacoli quando viene alzato all'altezza desiderata.

ESTENSIONE DELLE SEZIONI DELLA COLONNA DELLO STATIVO 11 E 12

Assicurarsi che lo stativo non incontri ostacoli quando viene alzato all'altezza desiderata.
 Prima di regolare l'altezza verificare quanto segue:
 • Assicurarsi che lo stativo sia montato correttamente in posizione di utilizzo e perfettamente bilanciato
 • Assicurarsi che il carico non superi la portata massima: 80 kg
 • Assicurarsi che l'apparecchio per illuminazione o i bracci di estensione siano correttamente bilanciati e bloccati
 • Assicurarsi che lo stativo non incontri ostacoli quando viene alzato all'altezza desiderata.
 • Assicurarsi di bloccare le ruote e di azionare i fermi

 Controllare che gli apparecchi di illuminazione non siano accesi quando si alza o si abbassa lo stativo e che i cavi elettrici non siano a contatto con la colonna, per evitare danni accidentali.

 Assicurarsi di avere stretto correttamente la manopola "Q" (fig. 11) per evitare che si allenti e cada accidentalmente.

Quando in posizione, girare la ruota verso l'esterno per ottenere la massima stabilità. (12)
 Bloccare le ruote e azionare i fermi "R" (fig. 12)
 Alzare il carico ruotando le manopole "Q" (fig. 11) in senso orario, il pulsante rosso "S" (fig. 11), secondo blocco di sicurezza, vibrerà mentre si alza la colonna (NON PREMERE IL PULSANTE DURANTE L'ESTENSIONE).

Nota: Se si riscontrano difficoltà nell'estendere le sezioni, verificare che:

- Il carico non superi la portata indicata per lo stativo.
- Nessuna delle sezioni abbia subito danni durante il trasporto.
- Non vi siano ostacoli (soffitto, balaustra, ecc.).

ATTENZIONE

 NON SPOSTARE LO STATIVO DOPO CHE IL CARICO È STATO ALZATO.

ABBASSAMENTO DELLE SEZIONI DELLA COLONNA DELLO STATIVO 13

Assicurarsi che non vi siano ostacoli prima di abbassare lo stativo.
 Abbassare le sezioni della colonna come segue

Premere il pulsante rosso e contemporaneamente alzare leggermente la colonna (1 cm).
 Premendo il pulsante rosso "S" (fig. 13), ruotare con forza una maniglia in senso antiorario.

MANOVRARE LO STATIVO DOPO IL MONTAGGIO 14 E 15

Sbloccare i fermi delle ruote "T" (fig. 14).
 Sbloccare la posizione di bloccaggio della direzione della ruota "U" rimuovendo il perno "V" e ruotandolo di 90°. La posizione di bloccaggio della direzione della ruota "U" permette di stabilire una direzione di movimento: è possibile bloccare una o due ruote per scegliere la direzione (fig. 15).

 NON SPOSTARE LO STATIVO DOPO CHE IL CARICO È STATO ALZATO.

 SE LO STATIVO SI TROVA SU UN PIANO INCLINATO CON UNA PENDENZA SUPERIORE A 5°

- Rimuovere il carico prima di spostare lo stativo
- Non spostare lo stativo nella configurazione di montaggio, invece, richiudere lo stativo per spostarlo in modo sicuro.

 Non salire sulla base dello stativo

RICHIUDERE LO STATIVO

Per richiudere lo stativo invertire i passaggi "MONTAGGIO DELLE MANIGLIE" e "APERTURA DELLA BASE E BILANCIAMENTO"

MANUTENZIONE E SUGGERIMENTI PER L'ASSISTENZA 16 17 E 18

Per ogni azione di lubrificazione consultare il capitolo "PROCEDURA DI LUBRIFICAZIONE".

Controllare periodicamente che le catene che alzano e abbassano le sezioni della colonna siano in buone condizioni attraverso i fori di controllo "W" degli ingranaggi, dopo aver rimosso le coperture "X".

Controllare periodicamente che il movimento delle sezioni della colonna sia fluido e regolare, alzando e abbassando completamente lo stativo.

Qualsiasi anomalia o movimento improvviso delle sezioni della colonna (fig. 17) deve essere segnalato al produttore o a un centro di assistenza autorizzato.

Dopo lunghi periodi di inutilizzo si consiglia una pulizia e un controllo accurati dello stativo.

Rimuovere regolarmente polvere e materiale estraneo dalle viti di bloccaggio e dalle parti scorrevoli.

Non utilizzare strumenti di metallo o appuntiti per le operazioni di pulizia.

Controllare periodicamente le condizioni dello stativo e dei meccanismi a cricchetto muovendo le sezioni della colonna senza carico. (fig. 18)

USO IN LUOGHI CON SABBIA (SPIAGGIA, DESERTO, ECC.)

Rimuovere il grasso lubrificante dai raccordi, dai filetti e dai cuscinetti per evitare che la sabbia si mescoli al grasso compromettendo il funzionamento dello stativo.

Nota: Dopo aver utilizzato lo stativo in condizioni sabbiose assicurarsi che lo stativo sia pulito e che il grasso lubrificante venga nuovamente applicato.

USO IN LUOGHI CON FANGO E SALSSEDINE

Prima di utilizzare lo stativo in un ambiente con fango o salsedine, tutti i raccordi, i filetti e le parti in movimento dello stativo devono essere lubrificati. Dopo aver lavorato in ambienti di questo tipo, è necessario pulire accuratamente lo stativo.

USO IN LUOGHI FREDDI E UMIDI

Accertarsi che tutti i filetti, i raccordi e i cuscinetti siano lubrificati. Se lo stativo deve essere utilizzato per un lungo periodo di tempo a temperature al di sotto dello zero, assicurarsi che la leva di sicurezza "S" (fig. 13) funzioni perfettamente.

Per verificarne il funzionamento, alzare lo stativo di qualche centimetro e spingere la leva di sicurezza verso il basso; ripetere l'operazione alcune volte per accertarsi che funzioni correttamente.

Se le sezioni o il meccanismo sono congelati, provare a sciogliere il ghiaccio, ma non esporli a fiamma diretta e non utilizzare liquido antigelo, (raccordi e cuscinetti potrebbero rovinarsi).

PARTI DI RICAMBIO

In caso di prodotto difettoso, l'unità deve essere restituita a un centro assistenza autorizzato Videndum Media Solutions.

PROCEDURA DI REGOLAZIONE DELLA COLONNA 19 20 21 22 E 23

1. Assicurarsi che lo stativo presenti colonna chiusa e gambe in posizione e bilanciate (utilizzare la bolla di livellamento sulla crociera).
2. Girare le ruote verso l'interno in posizione radiale e azionare il fermo per evitare spostamenti. (fig. 19)
3. Estendere la colonna alla massima altezza senza carico e muoverla leggermente avanti e indietro e a destra e a sinistra tramite la maniglia per verificare che sia stabile e scorrevole. (fig. 20)
4. Abbassare la colonna fino a quando le guide sono accessibili ma senza chiudere completamente lo stativo. (fig. 21)
5. Per regolare le sezioni della colonna, svitare le viti delle guide 1 e 2, collocare la guida nella posizione richiesta e avvitare nuovamente le guide. Effettuare questo passaggio sulle sezioni della colonna desiderate. (fig. 22)
6. Per ristabilire il gioco alla base della colonna, avvitare i perni presenti sul lato della colonna (fig. 23) e ridurre il gioco laterale. Agire sul meccanismo centrale (fig. 23). Per ristabilire il gioco e regolare la colonna dal lato frontale.
7. Dopo aver effettuato la regolazione e essersi assicurati di aver avvitato tutte le viti, estendere la colonna e verificare che la regolazione sia stata effettuata correttamente, in caso contrario ripetere la procedura.

PROCEDURA DI LUBRIFICAZIONE 24

Per lubrificare la superficie indicata utilizzare un generico spray lubrificante.

Per la catena di sollevamento utilizzare un generico spray lubrificante per catene

1. Perno di bloccaggio della rotazione della ruota "Y"
2. Cuscinetto reggisplinta tra il supporto della ruota e la staffa mobile della gamba "Z"
3. Perno girevole della staffa mobile della gamba "AA"
4. Catene di sollevamento "AB"

MANUTENZIONE FERMO 25

Verificare il corretto funzionamento dei fermi delle ruote tentando di forzare il movimento della ruota con il fermo azionato, se la ruota inizia a muoversi quando viene applicata la forza, il fermo deve essere regolato:

1. Sbloccare il fermo "AC"
2. Sbloccare la regolazione della pastiglia del freno svitando il dado di bloccaggio "AD"
3. Regolare la pastiglia del freno stringendo o allentando il perno filettato fino a quando la pastiglia tocca la ruota, poi spostare la pastiglia del freno dalla ruota allentando il perno filettato di ½ di giro "AE"
4. Azionare il fermo spingendo la leva e poi bloccando la pastiglia del freno in posizione stringendo il dado di bloccaggio "AF" e "AG"
5. Sbloccare nuovamente il fermo e assicurarsi che la ruota si muova liberamente senza toccare la pastiglia del freno
6. Verificare la regolazione corretta del fermo come spiegato sopra

Ripetere il controllo per ogni ruota

SOLLEVARE LO STATIVO CON UN ARGANO O CON ATTREZZATURA DI SOLLEVAMENTO 26

Per spostare lo stativo utilizzando un argano o altra attrezzatura di sollevamento, sollevare o abbassare lo stativo con una cinghia per imbracatura (non in dotazione) fatta passare intorno e attraverso la crociera "AH" Durante il sollevamento o l'abbassamento, verificare che lo stativo sia ben bilanciato e che le gambe siano fissate in modo sicuro "AI"

Non caricare mai le imbracature oltre la loro portata massima e verificare che siano fissate correttamente allo stativo e all'attrezzatura di sollevamento.

PRECAUZIONI

Non usare il prodotto oltre i limiti operativi specificati.

Non manomettere e non modificare il prodotto o le sue parti in quanto si potrebbe compromettere il funzionamento e/o la sicurezza del prodotto. L'uso di un prodotto che ha subito un danno, ad esempio per un urto o una caduta accidentale, può comprometterne l'utilizzo in sicurezza.

In tali evenienze, contattare il rivenditore o il produttore direttamente tramite la sezione assistenza clienti su manfrotto.com.

Asciugare il prodotto dopo averlo utilizzato in condizioni di umidità per evitare che si inneschino processi di corrosione, in particolare in caso di utilizzo in ambienti marini.

Il prodotto non è progettato per essere immerso nei liquidi.



Lo stativo non deve essere lasciato incustodito o accessibile a personale inesperto.

ESCLUSIONE DI RESPONSABILITÀ

Le informazioni contenute in questo documento possono essere soggette a variazioni nel tempo.

All'occorrenza, verificare se sono presenti aggiornamenti del manuale nell'area Prodotti del sito Manfrotto.com o Avenger.com oppure richiedere l'invio di una copia aggiornata tramite l'area Contattaci.

Videndum Media Solutions non potrà essere ritenuta responsabile di qualsiasi danno che possa derivare, direttamente o indirettamente, a persone, cose o animali, in conseguenza dell'inosservanza di tutte le indicazioni contenute nel presente documento (in particolare per quanto riguarda l'installazione, l'uso e la manutenzione del prodotto) né di lesioni e danni derivanti da un uso o uso improprio che va oltre le normali limitazioni di utilizzo.

Qualsiasi variazione o modifica apportata al prodotto senza l'autorizzazione esplicita di Videndum Media Solutions comporta automaticamente l'esclusione di qualsiasi responsabilità di Videndum Media Solutions.

INFORMAZIONI PER L'UTILIZZATORE

Smaltimento del prodotto e materiali utilizzati per l'imballaggio:

Stativo: La struttura principale è realizzata in alluminio e acciaio; protezione in gomma

Imballaggio: Carta, cartone, inserti in polistirolo, buste in polietilene

Per lo smaltimento del prodotto e del suo imballaggio, fare riferimento alle normative vigenti nel Paese in cui il prodotto viene smaltito relativamente ai materiali sopra menzionati.

Grazie per aver acquistato un prodotto Videndum Media Solutions.

Videndum Media Solutions garantisce che i suoi prodotti sono idonei allo scopo per il quale sono stati progettati e che sono privi di difetti nei materiali e nella fabbricazione. Questa garanzia non copre il prodotto da danni o uso improprio.

La durata del periodo di Garanzia Standard è definita dalla legislazione in vigore nel Paese, nello Stato o nell'area geografica in cui il prodotto è venduto.

Si prega di conservare una copia della prova d'acquisto del prodotto, perché sarà richiesta in caso di riparazione.

Il produttore si riserva il diritto di effettuare qualsiasi cambiamento al prodotto descritto in questo manuale, in qualsiasi momento e senza preavviso.

Estensione della garanzia:

Oltre alla copertura standard obbligatoria di cui sopra, Videndum Media Solutions offre un'estensione della garanzia fino a 5 anni dalla data di acquisto del prodotto. L'estensione della garanzia non incide sulla copertura obbligatoria standard. Per beneficiare dell'estensione della garanzia, è necessario registrare l'acquisto sul nostro sito web: <https://warranty.videndummediasolutions.com>.

UTILISATION PRÉVUE

Ce pied a été conçu pour soutenir des éclairages de l'industrie du cinéma et de la télévision sur site ou en studio et doit être manipulé par un professionnel formé à son utilisation.

SPÉCIFICATIONS POUR UNE UTILISATION SÉCURISÉE

1. Avant d'utiliser ce produit, lisez attentivement les instructions suivantes.
2. Assurez-vous d'utiliser les équipements professionnels de sécurité adaptés comme les chaussures de sécurité et les gants de travail pour l'installation et l'utilisation du pied.
3. Charge maximale : 80 kg
4. Température de fonctionnement : de -20°C à 60°C
5. Assurez-vous que le sol sur lequel ce produit est utilisé est stable et peut supporter le poids du pied et des équipements qui y sont installés.
6. Avant de positionner le pied et de tenter tout type de réglage ou de déplacement du pied, assurez-vous qu'il n'y a pas d'obstacle, de câble électrique ou autres dangers situés dans la zone occupée par le pied et sa charge.
7. Ce produit doit être utilisé uniquement par du personnel expérimenté.
8. Assurez-vous que la colonne centrale est parfaitement à niveau avant d'essayer de faire monter toute charge qui y est attachée.
9. Assurez-vous que l'objet attaché est correctement verrouillé et qu'il est totalement stable.
10. Toutes les charges doivent être correctement réparties, surtout si vous utilisez des barres en forme de "T".
11. Lors d'une utilisation en extérieur à une hauteur supérieure à 2,5 m ou par temps venteux, il est conseillé d'installer le produit à l'aide de câbles d'ancrage ou de kits de haubans (non fournis, kit 087WBK vendu séparément).
12. Vérifiez régulièrement que le pied est en bon état (voir chapitre "ENTRETIEN").
13. Pour éviter des blessures potentielles, n'approchez ni les mains ni d'autres parties du corps des pièces mobiles (voir image).
14. L'opérateur doit toujours accompagner le pied et ne jamais le laisser sans surveillance. Cette instruction est notamment valable lors des déplacements du pied.
15. Lorsque vous montez ou descendez des marches ou franchissez des obstacles de plus de 7 cm de haut, le pied doit être soulevé par-dessus l'obstacle pour éviter tout impact qui pourrait endommager le pied ou affecter sa performance.
16. Lors des déplacements du pied, l'opérateur doit maintenir le contrôle en tenant à tout moment le pied pour ne jamais le laisser avancer librement.
17. Assurez-vous que la broche de verrouillage (fig. 12) de la roue est bien sécurisée en position verrouillée avant de déplacer le pied ou d'élever la colonne.
18. Le pied est conçu pour être déplacé lorsque les jambes sont déployées de la façon indiquée dans la section Installation de la base (fig. 4, 5 et 6) et uniquement sur des surfaces ondulées lisses comme les sols durs, le gravier et l'herbe. Le pied ne doit jamais être poussé sur des surfaces à typologie plus agressive ni sur de gros obstacles comme des rochers ou des bords de trottoir.
19. La colonne doit être entièrement abaissée avant tout déplacement du pied.

AVERTISSEMENT

Le fabricant décline toute responsabilité dans les cas suivants :

- Toute utilisation non conforme aux présentes instructions
- Toute utilisation par du personnel non formé
- En cas de non-respect des normes de sécurité
- En cas de réparation à l'aide de matériaux/outils autres que ceux spécifiés par le fabricant

TRANSPORT DU PIED 1

Utilisez la poignée "A" pour manœuvrer le pied à l'aide des roues de transport "B" quand il est en configuration pliée.

AVERTISSEMENT



Pour le transport, l'utilisateur doit manipuler le pied seulement à l'aide des poignées fournies. Ne jamais se servir des sections de la colonne ou du mécanisme à manivelle pour manœuvrer le pied.

CONDITIONS D'UTILISATION 2 ET 3

Le pied doit être utilisé uniquement sur des surfaces planes.

Le pied est équipé de jambes de mise à niveau qui peuvent compenser de légères irrégularités du sol.

Le pied doit être installé sur un sol ferme capable de supporter à la fois le poids du pied et de sa charge sans qu'aucune des roues ne s'enfonce, car cela pourrait faire basculer le pied. Si le sol n'est pas ferme, placez une planche "C" (fig. 2) sous chaque roue.

Lors d'une utilisation en extérieur à une hauteur supérieure à 2,5 m ou par temps venteux, il est conseillé d'installer le produit à l'aide de câbles d'ancrage ou de kits de haubans (fig. 3) (non fournis, kit 087WBK vendu séparément).

INSTALLATION

OUVERTURE DE LA BASE ET MISE À NIVEAU 4 5 ET 6

1. Soulevez le crochet de sécurité "D" pour libérer la jambe puis répétez l'opération pour les deux autres jambes (fig. 4).
2. E : Abaissez avec prudence la jambe au sol puis répétez l'opération pour les deux autres jambes (fig. 4).
3. F : Détachez la jambe de mise à niveau en tirant sur la vis à ressort puis en abaissant la jambe qui était en position verticale (fig. 4). Répétez l'opération pour les deux autres jambes.
4. G : Tirez la goupille de verrouillage et faites pivoter l'ensemble de la roue en position verticale, puis répétez l'opération pour les deux autres jambes (fig. 5).
5. Attachez la jambe de mise à niveau à la base en soulevant l'encoche de sécurité et en la plaçant en position "H" (fig. 5) puis répétez l'opération pour les deux autres jambes.
6. Dans cette position "I" (fig. 6), le pied peut être chargé avec l'éclairage souhaité grâce à la fonctionnalité de charge à hauteur basse. Veuillez vous référer à la partie "CHARGEMENT DU PIED".
7. Faites pivoter les jambes de mise à niveau pour faire monter le pied et mettre la base à niveau. J (fig. 6) : En vous référant aux deux niveaux à bulle inférieurs, assurez-vous que la bulle reste dans la marque centrale pour une bonne mise à niveau du pied. Cela permet d'éviter un potentiel renversement du pied et de sa charge.

Remarque : Le plateau de roue "K" est équipé de 6 trous à différentes positions afin de choisir la direction de la roue (fig. 6).

AVERTISSEMENT



R (fig. 12) : Assurez-vous que les freins fonctionnent correctement avant d'utiliser le pied.



Les freins doivent toujours être actionnés quand le pied n'est pas en déplacement.



Vérifiez que le pied est bien à niveau (voir partie "OUVERTURE DE LA BASE ET MISE À NIVEAU") avant de faire monter la colonne.



Quand l'assemblage des jambes de mise à niveau est décroché, il peut bouger librement. Pour éviter des blessures potentielles, n'approchez ni les mains ni d'autres parties du corps des pièces mobiles (fig. 4).



Quand les crochets de sécurité des jambes de mise à niveau sont détachés de la base (F), elles peuvent bouger librement. Pour éviter des blessures potentielles, n'approchez ni les mains ni d'autres parties du corps des pièces mobiles (fig. 4).



Quand vous faites pivoter l'ensemble de la roue "G", n'approchez ni les mains ni d'autres parties du corps des pièces mobiles (fig. 5).



Quand vous verrouillez l'ensemble de la roue, assurez-vous que la broche de verrouillage est bien positionnée dans son emplacement pour éviter qu'elle n'en ressorte et entraîne le relâchement de l'ensemble de la roue.

INSTALLATION DES POIGNÉES 7

Le pied est fourni avec les poignées "L" tournées vers l'intérieur.

Réalisez les étapes suivantes pour faire pivoter chaque poignée "L" et les placer en position d'utilisation :

- 1) Dévissez les vis d'installation "M" en les faisant tourner dans le sens inverse des aiguilles d'une montre.
- 2) Soulevez la poignée "L" afin de libérer la broche "N" de l'axe "O" de la poignée.
- 3) Faites pivoter la poignée "L" pour la placer en position d'utilisation.
- 4-5) Verrouillez la poignée "L" en serrant la vis d'installation "M" dans le sens des aiguilles d'une montre afin que la broche "N" soit bien en place dans l'axe "O" de la poignée.

INSTALLATION DE LA CHARGE 8 9 ET 10

Assurez-vous que le pied est en configuration d'utilisation et que l'axe vertical est bien à niveau.

Dévissez la vis de verrouillage "P" (fig. 8) avant d'insérer le spigot de l'éclairage dans le connecteur femelle 11/8" (28 mm) situé au sommet du pied. Revissez la vis "P" pour verrouiller la position (fig. 8).

Lors d'une utilisation en extérieur à une hauteur supérieure à 2,5 m ou par temps venteux, il est conseillé d'installer le produit à l'aide de câbles d'ancrage ou de kits de haubans (fig. 9) (non fournis, kit 087WBK vendu séparément).

Toutes les charges doivent être correctement réparties, surtout si vous utilisez des barres en forme de "T" (fig. 10).

AVERTISSEMENT

Ne JAMAIS pencher le pied pour installer la charge.



Contrôlez l'intégrité du produit avant d'installer une charge.



Assurez-vous de bien avoir revissé la vis "P" (fig. 8) avant de faire monter la colonne.



Vérifiez qu'aucun obstacle ne vient gêner la montée du pied à la hauteur désirée.

ÉLÉVATION DE LA COLONNE DU PIED 11 ET 12

Vérifiez qu'aucun obstacle ne vient gêner la montée du pied à la hauteur désirée.

Avant d'ajuster la hauteur, vérifiez les éléments suivants :

- Le pied est en position de travail et bien mis à niveau.
- La charge ne dépasse pas le poids maximal de 80 kg.
- L'éclairage ou les bras d'extension installés sont bien équilibrés et verrouillés.
- Aucun obstacle ne vient gêner la montée du pied à la hauteur souhaitée.
- Les roues sont bien verrouillées et les freins sont enclenchés.



Vérifiez que les éclairages ne sont pas allumés lors de la montée ou de la descente de la colonne et que les câbles électriques ne sont pas en contact avec la colonne afin d'éviter des dommages.



Assurez-vous de bien avoir verrouillé les poignées "Q" (fig. 11) pour empêcher qu'elles ne tombent.

Une fois le pied en place, tournez les roues vers l'extérieur pour une stabilité optimale (12).

Activez le verrouillage "R" des roues et enclenchez le frein (fig. 12).

Faites monter la charge en tournant les poignées "Q" (fig. 11) dans le sens des aiguilles d'une montre. Le levier rouge "S" (fig. 11) qui est un second verrouillage de sécurité vibre quand vous faites monter la colonne. **NE PAS APPUYER SUR CE BOUTON PENDANT L'ÉLÉVATION.**

Remarque : Si vous rencontrez des difficultés pour faire monter la colonne, vérifiez que :

- la charge n'excède pas le poids maximal indiqué pour le pied
- les sections n'ont pas été endommagées lors d'un transport
- aucun obstacle ne vient gêner la montée des sections (plafond, balustrades, etc.)

AVERTISSEMENT

NE DÉPLACEZ PAS LE PIED S'IL EST DÉJÀ CHARGÉ.

ABAISSMENT DE LA COLONNE DU PIED 13

Assurez-vous, avant de manipuler le pied, que rien ne gêne la descente des sections.

Abaissez les sections en suivant ces étapes :

Appuyez sur le bouton rouge et faites monter en même temps la colonne de 1 cm.

Tout en maintenant le levier rouge "S" enfoncé (fig. 13), faites tourner une poignée avec de la force dans le sens inverse des aiguilles d'une montre.

MANIPULATION DU PIED INSTALLÉ 14 ET 15

Désenclenchez les freins "T" de roue (fig. 14).

Déverrouillez la position "U" de la roue en sortant la broche "V" puis en la faisant pivoter de 90°.

La position "U" de verrouillage de direction de la roue permet de définir le sens du mouvement. Il est possible de verrouiller une ou deux roues pour définir la direction (fig. 15).



NE DÉPLACEZ PAS LE PIED S'IL EST DÉJÀ CHARGÉ.



SI LE PIED SE TROUVE SUR UN PLAN INCLINÉ À PLUS DE 5° :

- Retirez la charge avant de déplacer le pied.
- Ne déplacez pas le pied en configuration d'installation, mais repliez le pied en configuration de transport pour le déplacer en toute sécurité.



Ne pas monter ni se tenir sur la base du pied.

PLIAGE DU PIED

Pour replier le pied, répétez dans le sens inverse les étapes des parties "INSTALLATION DES POIGNÉES" et "OUVERTURE DE LA BASE ET MISE À NIVEAU".

ENTRETIEN ET CONSEILS D'UTILISATION 16 17 ET 18

Pour toute opération de graissage, veuillez consulter la partie "OPÉRATIONS DE GRAISSAGE".

Contrôlez régulièrement que les chaînes qui font monter et descendre la colonne sont en bon état en regardant dans le trou de contrôle "W" au niveau des engrenages après avoir retiré le capuchon "X".

Contrôlez régulièrement que les mouvements des sections de la colonne sont fluides et réguliers en abaissant et en élevant complètement la colonne.

Toute anomalie et mouvement irrégulier de la colonne (fig. 17) doit être signalé au fabricant ou au centre de service agréé.

Après une longue période sans utilisation, nous vous recommandons de nettoyer le pied et de le contrôler.

Enlevez régulièrement la saleté et les débris des vis de verrouillage et des pièces coulissantes.

N'utilisez pas d'outils métalliques ou tranchants pour les opérations de nettoyage.

Vérifiez régulièrement l'état du pied et des boîtiers crémaillère en déplaçant les sections sans charge (fig. 18).

TRAVAIL EN PRÉSENCE DE SABLE (PLAGE, DÉSERT, ETC.)

Il est nécessaire de retirer la graisse des joints, des vis et des pas de vis, car le mélange de sable et de graisse peut considérablement altérer le fonctionnement du pied.

Remarque : Après utilisation du pied dans un environnement exposé au sable, veillez à bien nettoyer le pied et à regraisser le pied là où c'est nécessaire.

TRAVAIL EN PRÉSENCE DE BOUE OU DE SEL

Avant d'utiliser le pied dans un environnement boueux ou exposé au sel, graissez tous les joints, les vis, les pas de vis et les parties mobiles. Après utilisation dans ce type d'environnement, le pied doit être entièrement nettoyé.

TRAVAIL DANS DES CONDITIONS FROIDES ET HUMIDES

Vérifiez que tous les joints, vis et pas de vis sont graissés. Si vous devez utiliser le pied pendant une longue durée à des températures négatives, assurez-vous que le levier de sécurité "S" (fig. 13) fonctionne parfaitement.

Pour effectuer ce contrôle, montez la colonne de quelques centimètres puis abaissez le levier de sécurité.

Répétez plusieurs fois cette opération pour vérifier que le levier est bien opérationnel.

Si les sections ou le mécanisme sont gelés, essayez de les réchauffer, mais n'utilisez surtout jamais de flamme directe ni de liquides anti-gel (les joints et roulements pouvant être attaqués par ces produits).

PIÈCES DÉTACHÉES

En cas de produit défectueux, vous devez retourner l'unité à un agent de maintenance agréé Videndum Media Solutions.

RÉGLAGE DE LA COLONNE 19 20 21 22 ET 23

1. Assurez-vous que le pied est correctement installé avec la colonne abaissée, les jambes ouvertes et bien mises à niveau (contrôlez à l'aide du niveau à bulle sur le châssis central).
2. Faites pivoter les roues vers l'intérieur et enclenchez les freins pour empêcher le déplacement du pied (fig. 19).
3. Faites monter la colonne à la hauteur maximale et à vide puis faites-la bouger légèrement de l'avant en arrière et de gauche à droite à l'aide de la poignée pour contrôler qu'elle est bien guidée et qu'il n'y a pas de jeu (fig. 20).
4. Abaissez la colonne jusqu'à ce que les guides soient accessibles mais sans l'abaisser complètement (fig. 21).
5. Pour ajuster les différentes sections de la colonne, dévissez les vis 1 et 2 du guide, avancez le guide à la position souhaitée et revissez ses vis (fig. 22). Réalisez cette opération pour chaque section que vous souhaitez ajuster.
6. Pour supprimer le jeu à la base de la colonne, vissez les goujons présents sur le côté de la colonne (fig. 23) pour réduire le jeu latéral. Vissez le guide central à l'avant de la colonne (fig. 23) pour réduire le jeu à l'avant.
7. Une fois les ajustements terminés, vérifiez que vous avez bien vissé chaque vis puis étendez la colonne pour contrôler que les réglages sont bons. Sinon, recommencez l'opération.

OPÉRATIONS DE GRAISSAGE 24

Pour graisser les zones indiquées, utilisez un spray lubrifiant standard.

Pour les chaînes de levage, utilisez un spray lubrifiant pour chaînes.

1. Y : broche de verrouillage de la rotation de la roue
2. Z : rondelle de butée entre la roue et l'étrier mobile de la jambe
3. AA : broche pivotante de l'étrier mobile de la jambe
4. AB : chaînes de levage

ENTRETIEN DES FREINS 25

Contrôlez le bon fonctionnement des freins de roue en essayant de forcer un mouvement de la roue quand le frein est enclenché. Si la roue bouge quand une force est appliquée, alors le frein doit être ajusté comme suit :

1. AC : Désenclenchez le frein.
2. AD : Déverrouillez le disque de frein en dévissant la vis.
3. AE : Ajustez le disque de frein en vissant ou dévissant la vis jusqu'à ce que le disque touche la roue, puis redécollez le disque de la roue en dévissant la vis d'un demi-tour.
4. AF : Enclenchez le frein en poussant sur le levier.
AG : Serrez la vis pour verrouiller la position du disque de frein.
5. Désenclenchez à nouveau le frein et vérifiez que la roue tourne librement sans toucher le disque de frein.
6. Contrôlez le bon ajustement du frein comme expliqué ci-dessus.

Répétez le contrôle pour chaque roue.

LEVAGE DU PIED À L'AIDE D'UN TREUIL 26

Pour déplacer le pied à l'aide d'un treuil ou d'un autre matériel de levage, soulevez ou abaissez le pied à l'aide d'une sangle de levage (non fournie) que vous faites passer autour et à travers le châssis supérieur (AH).

Lorsque vous soulevez ou abaissez le pied, vérifiez qu'il est bien équilibré et que ses jambes sont sécurisées.

La figure "Al" montre ce qu'il ne faut pas faire.

Ne chargez jamais les sangles de levage avec un poids plus élevé que leur capacité maximale et vérifiez qu'elles sont correctement fixées au pied ainsi qu'au matériel de levage.

PRÉCAUTIONS

N'utilisez pas le produit au-delà des limites d'utilisation définies.

N'altérez pas et ne modifiez pas le produit ou des parties de celui-ci, car cela pourrait compromettre le fonctionnement du produit ou la sécurité de son utilisation. L'utilisation d'un produit endommagé, par exemple à la suite d'un choc ou d'une chute accidentelle, peut compromettre sa sécurité d'utilisation.

Dans de tels cas, contactez votre revendeur ou le fabricant directement via le service client sur manfrotto.com. Veillez à bien sécher le produit après utilisation dans des conditions humides pour éviter la corrosion, en particulier lorsqu'il est utilisé en bord de mer.

Le produit n'est pas conçu pour être immergé dans des liquides.



Le pied ne doit pas être laissé sans surveillance ni accessible à des non-professionnels.

EXCLUSION DE RESPONSABILITÉ

Les informations contenues dans ce document peuvent être sujettes à des variations au fil du temps.

Si nécessaire, veuillez vérifier les mises à jour de ce manuel dans la section Produits du site Manfrotto.com ou demandez qu'une copie mise à jour vous soit envoyée via la section Contactez-nous.

Videndum Media Solutions décline toute responsabilité pour les dommages qui pourraient résulter, directement ou indirectement, de personnes, de choses ou d'animaux, du non-respect de toutes les instructions contenues dans ce document (notamment en ce qui concerne l'installation, l'utilisation et l'entretien du produit), ainsi que pour les blessures et dommages résultant d'une utilisation non conforme ou d'une utilisation allant au-delà des limites normales de fonctionnement.

Toute variation ou modification apportée au produit sans l'autorisation expresse de Videndum Media Solutions entraîne automatiquement l'exclusion de toute responsabilité de la part de Videndum Media Solutions.

INFORMATION AUX UTILISATEURS

Élimination du produit et matériaux d'emballage utilisés :

Pied : Structure en aluminium et acier et protections en caoutchouc

Emballage : Papier, carton, inserts en polystyrène, sacs en polyéthylène

Pour le recyclage du produit et de son emballage, veuillez vous référer à la réglementation en vigueur dans le pays dans lequel le produit est mis au rebut pour les matériaux mentionnés ci-dessus.

Nous vous remercions d'avoir acheté un produit de Videndum Media Solutions.

Videndum Media Solutions garantit que ses produits sont adaptés à l'usage pour lequel ils ont été conçus et exempts de défauts de matériaux et de fabrication. Cette garantie ne couvre pas le produit contre les dommages ou une mauvaise utilisation.

La durée de la période de garantie standard est définie par la législation en vigueur dans le pays, l'état ou la région de commercialisation du produit.

Veillez conserver une copie de la preuve d'achat de votre produit, car elle vous sera demandée en cas de demande de réparation.

VERWENDUNGSZWECK

Das Stativ wurde entwickelt, um Leuchten für Film- und Fernsehproduktionen vor Ort oder im Studio zu stützen. Es darf nur von einem professionellen, geschulten Anwender bedient werden.

Angaben zum sicheren Betrieb

1. Bevor Sie dieses Produkt verwenden, lesen Sie bitte diese Anleitung sorgfältig durch.
2. Stellen Sie sicher, dass Sie bei der Einrichtung und Verwendung des Produkts die richtige persönliche Schutzausrüstung wie Sicherheitsschuhe und Arbeitshandschuhe tragen.
3. Maximale Traglast: 80 Kilogramm
4. Temperaturspanne für den Einsatz -20° - +60°C
5. Vergewissern Sie sich, dass der Untergrund, auf dem dieses Produkt verwendet wird, stabil ist und dem Gewicht des Stativs und der Nutzlast des befestigten Gegenstands standhalten kann.
6. Vergewissern Sie sich vor dem Aufstellen des Stativs und vor jeder Art von Ausrichtung/Bewegung des Stativs, dass sich in dem Bereich, in dem sich das Stativ und seine Traglast befinden, keine Hindernisse, Stromleitungen, Kabel oder Gefahrenquellen befinden.
7. Dieses Produkt sollte nur von geschultem Personal verwendet werden.
8. Vergewissern Sie sich, dass die Mittelsäule absolut waagrecht steht, bevor Sie versuchen, einen befestigten Gegenstand anzuheben.
9. Achten Sie darauf, dass der angebrachte Gegenstand korrekt eingerastet und absolut stabil ist.
10. Alle Lasten sollten ausbalanciert werden, insbesondere bei der Verwendung von T-Bars.
11. Es wird empfohlen, das Produkt bei einer Höhe von mehr als 2,5 m im Freien oder bei windigen Bedingungen mithilfe von Verankerungsdrähten und/oder Windschutz-Kits aufzustellen (nicht im Lieferumfang enthalten, 087WBK ist separat erhältlich)..
12. Überprüfen Sie regelmäßig, ob das Stativ in gutem Zustand ist (siehe Kapitel "WARTUNG")
13. Um mögliche Verletzungen zu vermeiden, halten Sie die Hände und andere Körperteile von den beweglichen Teilen fern (siehe Abbildung).
14. Der Bediener darf das Stativ nie unbeaufsichtigt lassen. Dies gilt insbesondere beim Manövrieren des Stativs.
15. Über Stufen oder Hindernisse von mehr als 7 cm Höhe muss das Stativ hinweggehoben werden, um Aufprallsituationen zu vermeiden, die das Stativ beschädigen oder in seiner Funktionsweise einschränken können.
16. Beim Manövrieren des Stativs muss es stets festgehalten werden, um es unter Kontrolle zu halten und zu verhindern, dass es wegrollt oder ausschwenkt.
17. Prüfen Sie vor dem Manövrieren des Stativs oder dem Ausziehen der Stativsäule, ob die Radsperr (Abb. 12) vollständig eingerastet ist.
18. Wenn die Beine gemäß Anleitung für die Basiseinrichtung (Abb. 4, 5 und 6) ausgeklappt sind, kann das Stativ über leicht unebene Böden manövriert werden, z. B. Hartböden, Kies oder Gras. Das Stativ darf nicht über größere Unebenheiten, wie Steine oder Bordsteinkanten, geführt werden.
19. Beim Manövrieren des Stativs muss die Stativsäule stets vollständig eingefahren sein.

DISCLAIMER

Der Hersteller übernimmt keine Verantwortung für:

- Jegliche Verwendung, die nicht mit den vorliegenden Anweisungen übereinstimmt.
- Jede Verwendung durch ungeschultes Personal.
- Jeden Fall, in dem gegen die Sicherheitsstandards verstoßen wird.
- Jede Reparatur mit anderen als den vom Hersteller angegebenen Reparaturmethoden und Materialien.

TRANSPORT 1

Verwenden Sie den Griff "A", um das Stativ in zusammengeklapptem Zustand über die Rollen "B" zu bewegen.

WARNUNG

Für den Transport sollten Sie das Stativ nur an den dafür vorgesehenen Griffen festhalten. Benutzen Sie nicht die Segmente der Säule oder den Kurbelmechanismus, um das Stativ zu bewegen.

BETRIEBSUMGEBUNG 2 UND 3

Das Stativ sollte nur auf ebenen Flächen verwendet werden.

Das Stativ verfügt über Nivellierfüße, die geringfügige Höhenunterschiede im Boden ausgleichen können.

Das Stativ muss auf einem festen Untergrund aufgestellt werden, der sowohl das Gewicht des Stativs als auch die Traglast tragen kann, ohne dass die Rollen einsinken und das Stativ umkippen kann. Wenn der Boden weich ist, legen Sie ein Brett "C" (Abb. 2) unter die Rollen.

Es ist ratsam, das Produkt bei einer Höhe von mehr als 2,5 m im Freien oder bei Wind mithilfe von Verankerungsdrähten oder einem Windschutz-Kit (Abb. 3) aufzustellen (nicht im Lieferumfang enthalten, 087WBK ist separat erhältlich).

AUFBAU**ÖFFNEN DER BASIS & NIVELLIEREN 4 5 UND 6**

1. Lösen Sie den Sicherungshaken, um das Bein zu entriegeln (wiederholen Sie den Vorgang für die anderen beiden Beine) "D" (Abb. 4).
2. Legen Sie das Bein vorsichtig auf den Boden (wiederholen Sie dies für die anderen beiden Beine) "E" (Abb. 4).
3. Lösen Sie den Nivellierfuß, indem Sie den Federkolben nach außen ziehen und den Fuß aus der vertikalen Position absenken (wiederholen Sie dies für die anderen beiden Füße) "F" (Abb. 4).
4. Ziehen Sie den Sicherungsstift heraus und drehen Sie das Rad in die vertikale Position (wiederholen Sie den Vorgang für die anderen beiden Beine) "G" (Abb. 5).
5. Befestigen Sie das Nivellierbein an der Basis, indem Sie die Sicherung hochziehen und an der Position "H" befestigen (Abb. 5) (wiederholen Sie dies für die beiden anderen Beine).
6. In dieser Position können Sie das Stativ mit der gewünschten Lampe beladen, indem Sie die niedrige Ladehöhe nutzen. (Siehe "Beladen des Stativs") "I" (Abb. 6)
7. Drehen Sie die Nivellierfüße, um das Stativ anzuheben und die Basis zu nivellieren. Verwenden Sie die unteren beiden Nivellierlibellen als Referenz und stellen Sie sicher, dass die Libelle die zentrale Markierung nicht verlässt, um ein mögliches Kippen des Stativs und der darauf montierten Ausrüstung zu verhindern "J" (Abb. 6)

Hinweis: Die Radplatte "K" (Abb. 6) verfügt über 6 Lochpositionen, um die Laufrichtung der Räder zu wählen.

WARNUNG

Vergewissern Sie sich, dass die Bremsen richtig funktionieren, bevor Sie "R" verwenden (Abb. 12).



Wenn das Stativ nicht bewegt wird, sollten die Bremsen immer festgestellt sein.



Vergewissern Sie sich, dass das Produkt korrekt nivelliert ist (siehe: 'ÖFFNEN DER BASIS & NIVELLIEREN'), bevor Sie die Säule aufrichten.



Wenn die Nivellierfüße von der Säule ausgehängt sind, können sie sich frei bewegen. Um mögliche Verletzungen zu vermeiden, halten Sie die Hände und andere Körperteile von den beweglichen Teilen fern "D" (Abb. 4)



Wenn die Sicherheitsverschlüsse der Nivellierfüße von der Basis ausgehängt sind, können sie sich frei bewegen. Um mögliche Verletzungen zu vermeiden, halten Sie Hände und andere Körperteile von den beweglichen Teilen fern "F" (Abb. 4)



Achten Sie beim Positionieren und Verstellen der Räder darauf, die Hände und andere Körperteile von den beweglichen Teilen fernzuhalten "G" (Abb. 5)



Achten Sie beim Sichern der Räder darauf, dass der Sicherungsstift richtig eingesetzt ist, um zu verhindern, dass er aus seiner Position rutscht und sich die Räder lösen können.

GRIFFE EINRICHTEN 7

Das Stativ wird mit nach innen gedrehten Griffen "L" geliefert.

Verstellen Sie die Griffe "L" in die Betriebsposition, indem Sie:

- 1) Lösen Sie die Stellschrauben "M" gegen den Uhrzeigersinn.
- 2) Ziehen Sie die Hebel "L" hoch, um den Stift "N" aus dem Kanal der Griffachse "O" auszuhaken.
- 3) Griff "L" in Betriebsposition bringen.
- 4-5) Fixieren Sie den Griff "L", indem Sie die Stellschraube "M" im Uhrzeigersinn anziehen, bis der Stift "N" im Kanal der Griffachse "O" befestigt ist.

DAS STATIV BELADEN 8 9 UND 10

Vergewissern Sie sich, dass sich das Stativ in der Arbeitsposition befindet, d.h. die vertikale Achse nivelliert ist. Lösen Sie die Feststellschraube "P" (Abb. 8), bevor Sie den Zapfen der Leuchte in die 1-1/8" (28 mm) Buchse an der Oberseite des Stativs einführen. Ziehen Sie die Feststellschraube "P" (Abb. 8) an, um die Leuchte in ihrer Position zu fixieren.

Es wird empfohlen, bei Stativen, die in einer Höhe von mehr als 2,5 m betrieben werden, oder bei windigen Bedingungen das Produkt mit Ankerdrähten und/oder einem Windschutz-Kit (Abb. 9) aufzustellen (nicht im Lieferumfang enthalten, 087WBK ist separat erhältlich).

Alle Lasten sollten ausbalanciert werden, insbesondere bei der Verwendung von T-Bars usw. (Abb. 10).

WARNING

Kippen Sie das Stativ NICHT, wenn Sie Geräte aufsetzen.



Überprüfen Sie die Unversehrtheit des Produkts, bevor Sie die Last aufsetzen.



Stellen Sie sicher, dass Sie die Feststellschraube "P" (Abb. 8) angezogen haben, bevor Sie die Säule hochfahren.



Vergewissern Sie sich, dass das Stativ nicht blockiert wird, wenn Sie es auf die gewünschte Höhe eingestellt haben.

ANHEBEN DER STATIVSÄULEN 11 UND 12

Stellen Sie sicher, dass das Stativ nicht blockiert wird, wenn Sie es auf die gewünschte Höhe eingestellt haben. Bevor Sie die Höhe einstellen, überprüfen Sie Folgendes:

- Vergewissern Sie sich, dass das Stativ korrekt in der Arbeitsposition aufgestellt und richtig ausgerichtet ist.
- Achten Sie darauf, dass die Ladung die maximale Traglast nicht überschreitet: 80 Kilogramm.
- Vergewissern Sie sich, dass die Leuchte oder die Auslegerarme korrekt ausbalanciert und verriegelt sind.
- Vergewissern Sie sich, dass das Stativ nicht blockiert wird, wenn Sie es auf die gewünschte Höhe eingestellt haben.
- Stellen Sie sicher, dass Sie die Räder blockieren und die Bremsen betätigen.



Vergewissern Sie sich, dass die Leuchten beim Anheben oder Absenken des Stativs nicht eingeschaltet sind und dass die Stromkabel nicht mit der Säule in Berührung kommen, um unbeabsichtigte Schäden zu vermeiden.



Vergewissern Sie sich, dass Sie den Knopf "Q" (Abb. 11) richtig angezogen haben, damit er sich nicht löst und versehentlich herausfällt.

Drehen Sie das Rad in dieser Position nach außen, um die maximale Stabilität zu erreichen. (12)

Blockieren Sie die Räder und betätigen Sie die Bremsen "R" (Abb. 12)

Heben Sie die Last an, indem Sie die Griffe "Q" (Abb. 11) im Uhrzeigersinn drehen. Der rote Knopf "S" (Abb. 11), der die sekundäre Sicherheitssperre darstellt, vibriert, während Sie die Säule aufstellen (DRÜCKEN SIE IHN NICHT WÄHREND DES AUFSTELLENS).

Hinweis: Wenn es Schwierigkeiten beim Aufstellen der Säulen gibt, überprüfen Sie Folgendes:

- Ist die Traglast höher als die für das Stativ angegebene.
- Wurde eine Säule beim Transport beschädigt?
- Gibt es ein Hindernis (Decke, Geländer usw.)?

WARNING

Bewegen Sie das Stativ nicht, wenn die Last bereits angehoben ist.

ABSENKEN DER SÄULEN DES STATIVS 13

Vergewissern Sie sich vor dem Absenken des Stativs, dass keine Hindernisse im Weg sind.

Senken Sie die Säulen wie folgt ab:

Drücken Sie den roten Knopf nach unten, und heben Sie gleichzeitig die Säule leicht an (1 cm).

Während Sie den roten Knopf "S" (Abb. 13) nach unten drücken, drehen Sie einen Griff mit Krafteinsatz im Gegenuhrzeigersinn.

BEWEGEN DES STATIVS NACH DEM AUFSTELLEN 14 UND 15

Lösen Sie die Feststellbremsen der Räder "T" (Abb. 14).

Lösen Sie die Feststellbremse für die Rolle "U", indem Sie den Stift "V" herausziehen und ihn um 90° drehen.

Die Position "U" ermöglicht die Festlegung der Fahrtrichtung: Es ist möglich, ein oder zwei Räder zu blockieren, um die Richtung zu bestimmen (Abb. 15).



Bewegen Sie das Stativ nicht, wenn die Last bereits angehoben ist.



wenn das Stativ auf einer Schräglage mit einer Neigung von mehr als 5° steht

- Entfernen Sie das Gewicht, bevor Sie das Stativ bewegen.
- Bewegen Sie das Stativ nicht in der aufgebauten Einstellung, sondern klappen Sie das Stativ zusammen, um es sicher zu bewegen.



Klettern oder stellen Sie sich nicht auf den Sockel des Stativs.

STATIV ZUSAMMENKLAPPEN

Um das Stativ zusammenzuklappen, gehen Sie in umgekehrter Reihenfolge vor: "GRIFFE AUFSTELLEN" und "BODEN ÖFFNEN & Nivellieren".

TIPPS ZU WARTUNG UND SERVICE 16 17 UND 18

For each greasing activity refer to chapter "GREASING OPERATION".

Prüfen Sie regelmäßig, ob die Ketten, die die Säulen anheben und absenken, in gutem Zustand sind, indem Sie die Inspektionslöcher "W" im Getriebekasten nach dem Entfernen der Kappen "X" kontrollieren.

Prüfen Sie regelmäßig, ob die Bewegungen der Säulen gleichmäßig sind, indem Sie das Stativ vollständig anheben und absenken.

Alle Unregelmäßigkeiten, plötzliche Bewegungen der Säulen (Abb. 17) müssen dem Hersteller oder einem autorisierten Servicezentrum gemeldet werden.

Nach längerer Lagerung empfehlen wir eine gründliche Reinigung und Inspektion des Stativs.

Entfernen Sie regelmäßig Schmutz und Ablagerungen von den Verriegelungsschrauben und den gleitenden Teilen. Verwenden Sie bei der Reinigung keine metallischen oder scharfen Werkzeuge.

Prüfen Sie regelmäßig den Zustand des Stativs und der Kurbelgehäuse, indem Sie die Säulen ohne Beladung bewegen. (Abb. 18)

AN EINEM SANDIGEN ORT ARBEITEN (STRÄNDE, WÜSTE, ETC.)

Entfernen Sie Schmierfett von Gelenken, Gewinden und Lagern, um zu verhindern, dass sich Sand mit dem Fett vermischt und den Betrieb des Stativs beeinträchtigt.

Hinweis: Stellen Sie nach dem Einsatz des Stativs in sandigen Bedingungen sicher, dass das Stativ gereinigt und das Schmierfett wieder aufgetragen wird.

SCHLAMMIGE UND SALZIGE ORTE

Bevor das Stativ in einer schlammigen oder salzigen Umgebung eingesetzt wird, sollten alle Gelenke, Gewinde und beweglichen Teile des Stativs eingefettet werden. Nach der Arbeit in dieser Umgebung muss das Stativ gründlich gereinigt werden.

EINSATZ AN KALTEN UND FEUCHTEN ORTEN

Vergewissern Sie sich, dass alle Gewinde und Lager der Gelenke gefettet sind. Wenn das Stativ über einen längeren Zeitraum bei Temperaturen unter dem Gefrierpunkt betrieben werden soll, achten Sie darauf, dass der Sicherheitshebel "S" (Abb. 13) voll funktionsfähig ist.

Kurbeln Sie dazu das Stativ einige Zentimeter nach oben und drücken Sie den Sicherheitshebel nach unten. Wiederholen Sie diesen Vorgang ein paar Mal, um sicherzustellen, dass es richtig funktioniert. Wenn die Säulen oder der Mechanismus vereist sind, versuchen Sie, sie zu enteisen, aber setzen Sie sie keiner direkten Flamme aus und verwenden Sie keine Enteisungsflüssigkeit (Gelenke und Lager könnten davon betroffen sein).

ERSATZTEILE

Falls das Produkt defekt ist, bringen Sie das Gerät zu einem autorisierten Videndum Media Solutions Servicepartner.

VORGANG DER SÄULENBEWEGUNG 19 20 21 22 UND 23

1. Vergewissern Sie sich, dass Sie das Stativ mit geschlossener Säule, mit geöffneten Beinen und waagrecht aufgestellt haben (verwenden Sie die Libelle am oberen Kreuz).
2. Drehen Sie die Räder nach innen in eine radiale Position und aktivieren Sie die Bremse, um ein Verrutschen zu verhindern. (Abb. 19)
3. Fahren Sie die Säule ohne Belastung auf die maximale Höhe aus und bewegen Sie sie mit dem Griff leicht hin und her, nach rechts und links, um zu sehen, ob sie gut geführt wird oder ob es Spiel gibt. (Abb. 20)
4. Senken Sie die Säule ab, bis die Führungen zugänglich sind, ohne jedoch alles vollständig zu schließen. (Abb. 21)
5. Um die verschiedenen Segmente der Säule einzustellen, schrauben Sie die Schrauben der Führungen 1 und 2 ab, schieben die Führung in die gewünschte Position und schrauben die Führungen wieder an. Führen Sie dies an den gewünschten Säulen durch. (Abb. 22)
6. Um die Abstände der Basissäule wiederherzustellen, schrauben Sie die seitlich an der Säule vorhandenen Dübel an (Abb. 23) und verringern Sie die seitlichen Abstände. Wirken Sie auf das zentrale Korn ein (Abb. 23). Stellen Sie das Spiel wieder her und justieren Sie die Säule in der vorderen Richtung.
7. Wenn Sie die Einstellung vorgenommen und sichergestellt haben, dass Sie alle Schrauben geschlossen haben, fahren Sie die Säule aus und überprüfen Sie, ob die Einstellung erfolgreich war, falls nicht, wiederholen Sie den Vorgang.

SCHMIERVORGANG 24

Verwenden Sie zum Einfetten des angegebenen Bereichs ein allgemeines Fettspray. Verwenden Sie für die Hebekette ein allgemeines Schmier Spray für Ketten

1. Sicherungsstift für die Verstellbarkeit des Rades "Y"
2. Drucklager zwischen der Radhalterung und dem beweglichen Beinbügel "Z"
3. Drehzapfen des beweglichen Beinbügels "AA"
4. Ketten heben "AB"

WARTUNG DER BREMSEN 25

Prüfen Sie die korrekte Funktion der bremsbaren Räder, indem Sie versuchen, die Bewegung des Rads bei angezogener Bremse zu forcieren. Wenn sich das Rad bei Kraftanwendung zu bewegen beginnt, muss die Bremse eingestellt werden:

1. Lösen Sie die Bremse "AC".
2. Lösen Sie die Einstellung der Bremsbeläge, indem Sie die Sicherungsmutter "AD" abschrauben.
3. AStellen Sie den Bremsbelag ein, indem Sie den Gewindestift anziehen oder lösen, bis der Belag das Rad berührt. Bewegen Sie dann den Bremsbelag von dem Rad weg, indem Sie den Gewindestift um 1/2 Umdrehung lockern "AE".
4. Aktivieren Sie die Bremse, indem Sie den Hebel betätigen, und arretieren Sie dann den Bremsklotz, indem Sie die Feststellmutter "AF" und "AG" anziehen.
5. Lösen Sie die Bremse wieder und vergewissern Sie sich, dass sich das Rad frei dreht, ohne den Bremsklotz zu berühren.
6. Überprüfen Sie die korrekte Einstellung der Bremsen wie oben beschrieben. Wiederholen Sie die Kontrolle für jedes Rad.

ANHEBEN DES STATIVS MIT EINER WINDE ODER EINEM HEBEGERÄT 26

Um das Stativ mit einer Winde oder einem anderen Hebemittel zu bewegen, heben oder senken Sie das Stativ mit einer Bandschlinge (nicht im Lieferumfang enthalten) um und durch die obere Spinne "AH".

Vergewissern Sie sich beim Anheben oder Absenken, dass das Stativ gut ausbalanciert ist und dass die Beine sicher befestigt sind "AI". Belasten Sie den Gurt niemals über seine maximale Traglast hinaus und überprüfen Sie, ob er korrekt am Stativ und am Hebewerkzeug befestigt ist.

VORSICHTSMASSNAHMEN

Verwenden Sie das Produkt nicht außerhalb der festgelegten Betriebsbedingungen.

Nehmen Sie keine Eingriffe oder Veränderungen am Produkt oder an Teilen davon vor, da dies den Betrieb und/oder die Sicherheit des Produkts beeinträchtigen würde. Die Verwendung eines Produkts, das beschädigt wurde, z.B. durch Stöße oder Stürze, kann seine sichere Verwendung beeinträchtigen.

Wenden Sie sich in solchen Fällen an Ihren Händler oder direkt an den Hersteller über das Segment Kundenservice auf manfrotto.com.

Trocknen Sie das Produkt nach dem Gebrauch in feuchter Umgebung, um Korrosion zu vermeiden, insbesondere wenn Sie es in der Nähe von Meeresgebieten verwenden.

Das Produkt ist nicht zum Eintauchen in Flüssigkeiten vorgesehen.



Das Stativ darf nicht unbeaufsichtigt bleiben oder für Unbefugte zugänglich sein.

HAFTUNGSAUSSCHLUSS

Die in diesem Dokument enthaltenen Informationen können im Laufe der Zeit Änderungen unterliegen.

Prüfen Sie bei Bedarf, ob dieses Handbuch im Bereich Produkte auf der Website Manfrotto.com oder Avenger.com aktualisiert wurde, oder fordern Sie über den Bereich Kontakt eine aktualisierte Version an.

Videndum Media Solutions kann nicht für Schäden haftbar gemacht werden, die direkt oder indirekt von Personen, Dingen oder Tieren als Folge der Nichtbeachtung aller Anweisungen in diesem Dokument (insbesondere in Bezug auf die Installation, den Gebrauch und die Wartung des Produkts) verursacht werden, sowie für Verletzungen und Schäden, die durch unsachgemäßen Gebrauch oder Gebrauch, der über die normalen Betriebsgrenzen hinausgeht, entstehen.

Jede ohne ausdrückliche Genehmigung von Videndum Media Solutions vorgenommene Veränderung des Produkts führt automatisch zum Ausschluss jeglicher Haftung seitens Videndum Media Solutions.

BENUTZERINFORMATIONEN

Produktentsorgung und verwendetes Verpackungsmaterial:

Stativ: Die Hauptstruktur ist aus Aluminium und Stahl gefertigt; Gummischutz

Verpackung: Papier, Karton, Styroporeinlagen, Polyethylenbeutel

Für die Entsorgung des Produkts und seiner Verpackung beachten Sie bitte die in dem Land, in dem das Produkt entsorgt wird, geltenden Vorschriften für die vorgenannten Materialien.

Vielen Dank, dass Sie ein Produkt von Videndum Media Solutions gekauft haben.

Videndum Media Solutions garantiert, dass seine Produkte für den Zweck, für den sie entwickelt wurden, geeignet und frei von Material- und Verarbeitungsfehlern sind. Diese Garantie deckt keine Schäden am Produkt oder unsachgemäßen Gebrauch ab.

Die Dauer der Standardgarantie richtet sich nach der geltenden Gesetzgebung des Landes, des Staates oder der Region, in der das Produkt verkauft wird.

Bitte bewahren Sie eine Kopie des Kaufbelegs Ihres Produkts auf, da dieser im Falle einer Reparatur angefordert wird.

Der Hersteller behält sich das Recht vor, jederzeit und ohne Vorankündigung Änderungen an dem in diesem Handbuch beschriebenen Produkt vorzunehmen.

Wie Sie die Garantieabdeckung erweitern können:

Zusätzlich zu dem oben genannten obligatorischen Deckungsumfang bietet Videndum Media Solutions eine Garantieverlängerung von bis zu 5 Jahren ab dem Kaufdatum dieses Produkts an. Die Garantieverlängerung hat keinen Einfluss auf die vorgeschriebene Standardabdeckung. Um die Garantieverlängerung in Anspruch nehmen zu können, müssen Sie Ihren Kauf auf unserer Website registrieren: <https://warranty.videndummediasolutions.com>.

USO PREVISTO

El trípode está diseñado para sostener luminarias para producciones cinematográficas y de televisión, en exteriores o en el estudio, y se destina a ser utilizado únicamente por usuarios profesionales capacitados.

ESPECIFICACIONES PARA SU USO SEGURO

1. Antes de utilizar este producto, lea atentamente estas instrucciones
2. Asegúrese de utilizar el equipo de protección personal correcto, como calzado de seguridad y guantes de trabajo, durante la instalación y el uso del producto.
3. Carga máxima: 80 kg (176 lb)
4. Rango de temperatura de funcionamiento -20 °C a +60 °C
5. Asegúrese de que el suelo sobre el que se utilice el producto sea estable y admita el peso del trípode y la carga de los objetos fijados a este.
6. Antes de colocar el trípode y de realizar cualquier ajuste o movimiento, asegúrese de que no haya obstáculos, equipos eléctricos, cables o riesgos en la zona ocupada por el trípode y su carga.
7. Este producto solo debe ser utilizado por personal con experiencia
8. Asegúrese de que la columna central esté perfectamente nivelada antes de levantar cualquiera de los objetos que estén fijados.
9. Asegúrese de que el elemento acoplado esté correctamente bloqueado y completamente estable.
10. Todas las cargas deben estar equilibradas, especialmente cuando se utilicen barras en T.
11. Para su uso en el exterior con una altura superior a 2,5 m (98") o en cualquier situación con condiciones de viento, se aconseja instalar el producto utilizando cables de anclaje y/o kits de refuerzo contra el viento (No incluidos. 087WBK, vendido por separado.)
12. Compruebe periódicamente que el trípode se encuentra en buen estado (consulte el capítulo "MANTENIMIENTO").
13. Para evitar posibles lesiones, mantenga las manos y otras partes del cuerpo alejadas de las piezas móviles (consulte la imagen)
14. El operador debe acompañar siempre al soporte y no dejarlo nunca desatendido. Esto incluye especialmente cuando mueva el soporte.
15. Al subir o bajar escalones u obstáculos de más de 7 cm (2,75 pulgadas) de altura, el soporte debe elevarse por encima del obstáculo para evitar impactos que puedan dañar o afectar al rendimiento del mismo.
16. Cuando se desplace el soporte, el usuario debe mantener el control, sujetándolo y evitando que ruede libremente.
17. Cerciórese de que el pasador de bloqueo del conjunto de la rueda (fig. 12) esté totalmente asegurado en su posición de bloqueo antes de mover el soporte o elevar la columna.
18. El soporte está diseñado para ser movido cuando las patas están desplegadas de acuerdo con la sección de configuración de la base (fig. 4, 5 y 6) sobre superficies lisas y onduladas, como suelos duros, gravilla o hierba; el soporte no debe empujarse sobre superficies niveladas más agresivamente ni sobre obstáculos grandes, como rocas o bordillos.
19. La columna debe estar totalmente bajada siempre que mueva el soporte.

EXENCIÓN DE RESPONSABILIDAD

El fabricante no acepta ninguna responsabilidad por:

- Cualquier uso no conforme con las presentes instrucciones.
- Cualquier uso por parte de personal no capacitado.
- Cualquier caso en el que se infrinjan las normas de seguridad.
- Cualquier caso de reparación mediante el uso de materiales/mecanizado distintos a los especificados por el fabricante.

TRANSPORTE 1

Utilice el asa "A" para maniobrar el trípode cuando esté plegado mediante las ruedas de transporte "B"

ADVERTENCIA

Para el transporte, los usuarios solo deben sujetar el trípode por las asas previstas. No utilice las secciones de la columna ni el mecanismo de manivela para maniobrar el trípode

ENTORNO OPERATIVO 2 Y 3

El trípode solo debe utilizarse sobre superficies niveladas.

El trípode cuenta con patas de nivelación que pueden compensar diferencias marginales en el nivel del suelo. El trípode se debe instalar sobre un suelo firme con capacidad para admitir su peso y su carga sin que se hundan las ruedas, lo que puede causar que el trípode se vuelque. Si el suelo es blando, coloque un tablero "C" (fig. 2) debajo de las ruedas.

Durante el uso en el exterior con una altura superior a 2,5 m (98") o en cualquier situación con condiciones de viento, se aconseja instalar el producto utilizando cables de anclaje y/o el kit de refuerzo contra el viento (fig. 3) (No incluido. 087WBK, vendido por separado.)

MONTAJE**ABRIR LA BASE Y NIVELAR 4 5 Y 6**

1. Desenganche el gancho de sujeción para liberar la pata (repita para las otras dos patas) "D" (fig. 4)
2. Baje la pata con cuidado hasta el suelo (repita con las otras dos patas) "E" (fig. 4)
3. Libere la pata de nivelación tirando del émbolo del muelle hacia afuera y bajando la pata desde la posición vertical (repita para las otras dos patas) "F" (fig. 4)
4. Retire el pasador de bloqueo y gire el conjunto de ruedas hasta la posición vertical (repita para las otras dos patas) "G" (fig. 5)
5. Fije la pata de nivelación a la base tirando hacia arriba del cierre de seguridad y fijándola en el lugar "H" (fig. 5) (repita la operación para las otras dos patas)
6. En esta posición puede cargar el trípode con la luminaria deseada utilizando la característica de baja altura de carga. (Por favor, consulte "CÓMO CARGAR EL TRÍPODE") "I" (fig. 6)
7. Gire las patas de nivelación para elevar el trípode y nivelar la base. Utilizando las dos burbujas de nivelación inferiores como referencia, asegúrese de que la burbuja no se salga del marcador central para evitar un posible vuelco del trípode y de su equipo montado "J" (fig. 6)

Nota: La placa de las ruedas "K" (fig. 6) presenta 6 posiciones de orificios para elegir la dirección de la rueda.

ADVERTENCIA

Asegúrese de que los frenos funcionan correctamente antes del uso "R" (fig. 12)



Cuando el trípode no se está moviendo, los frenos deben estar siempre activados.



Asegúrese de tener el producto correctamente nivelado (consulte: 'ABRIR LA BASE Y NIVELAR') antes de levantar la columna.



Cuando los conjuntos de patas niveladoras se desenganchan de la columna, pueden moverse libremente. Para evitar posibles lesiones, mantenga las manos y otras partes del cuerpo alejadas de las partes móviles "D" (fig. 4)



Cuando los cierres de seguridad de los conjuntos de patas niveladoras están desenganchados de la base, pueden moverse libremente. Para evitar posibles lesiones, mantenga las manos y otras partes del cuerpo alejadas de las piezas móviles (F) (fig. 4)



Al colocar y girar el conjunto de la rueda, asegúrese de mantener las manos y otras partes del cuerpo alejadas de las partes móviles "G" (fig. 5)



Al asegurar el conjunto de la rueda, asegúrese de que el pasador de bloqueo esté correctamente asentado para evitar que se salga de su posición y pueda provocar el desprendimiento del conjunto de la rueda.

MONTAJE DE LAS ASAS 7

El trípode se suministra con asas "L" giradas hacia adentro.

Gire las asas "L" a la posición de funcionamiento del siguiente modo:

- 1) Afloje los tornillos de fijación "M" en sentido antihorario
- 2) Levante las palancas "L" para desenganchar el pasador "N" del canal del eje de las asas "O"

- 3) Gire el asa "L" a la posición de funcionamiento
 4-5) Bloquee el asa "L" en su posición apretando el tornillo de fijación "M" en sentido horario para que el pasador "N" quede asegurado en el canal del eje de las asas "O".

CÓMO CARGAR EL TRÍPODE 8 9 Y 10

Asegúrese de que el trípode esté en su posición de trabajo, con el eje vertical nivelado. Desenrosque el tornillo de bloqueo "P" (fig. 8) antes de introducir la espiga de la luminaria en el casquillo de 1-1/8" (28 mm) situado en la parte superior del trípode. Para asegurar su posición, apriete el tornillo de bloqueo "P" (fig. 8).
 En los trípodes que operan a alturas superiores a 2,5 m (98") o en cualquier situación con condiciones de viento, se aconseja instalar el producto utilizando cables de anclaje y/o un kit de refuerzo contra el viento (fig. 9) (No incluido. 087WBK, vendido por separado.)
 Todas las cargas deben estar equilibradas, especialmente cuando se utilicen barras en T, etc. (fig. 10).

ADVERTENCIA



NO incline el trípode para cargar el equipo.



Compruebe la integridad del producto antes de poner la carga.



Asegúrese de haber apretado el tornillo de bloqueo "P" (fig. 8) antes de elevar la columna.



Compruebe que el trípode no se atascará en su recorrido cuando se levante a la altura deseada.

CÓMO IZAR LAS COLUMNAS DEL TRÍPODE 11 Y 12

Compruebe que el trípode no se atascará en su recorrido cuando se levante a la altura deseada. Antes de ajustar la altura, compruebe lo siguiente:
 • Asegúrese de que el trípode esté correctamente colocado en su posición de trabajo y correctamente nivelado
 • Asegúrese de que la carga no supera la carga máxima: 80 kg (176 lb)
 • Asegúrese de que la luminaria o los brazos extensibles estén correctamente equilibrados y bloqueados
 • Compruebe que el trípode no se atascará en su recorrido cuando se levante a la altura deseada.
 • Asegúrese de bloquear las ruedas y aplicar los frenos



Compruebe que las luminarias no estén encendidas cuando levante o baje el trípode, y que los cables eléctricos no estén en contacto con la columna, a fin de evitar daños accidentales.



Asegúrese de haber apretado correctamente el mando "Q" (fig. 11) para evitar que se suelte y se caiga accidentalmente.

Cuando esté en posición, gire la rueda hacia fuera para conseguir la máxima estabilidad. (12)
 Bloquee las ruedas y aplique los frenos "R" (fig. 12)
 Eleve la carga girando las asas "Q" (fig. 11) en sentido horario; el botón rojo "S" (fig. 11) que es el cierre de seguridad secundario vibrará al elevar la columna (NO LO PRESIONE DURANTE EL IZADO).

Nota: Si hay dificultades para levantar las columnas, compruebe lo siguiente:

- ¿La carga es excesiva según se especifica para el trípode?
- ¿Alguna de las columnas se ha dañado durante el transporte?
- ¿Hay alguna obstrucción (techo, balastrada, etc.)?

ADVERTENCIA



NO MUEVA EL TRÍPODE UNA VEZ QUE HAYA LEVANTADO LA CARGA.

CÓMO BAJAR LAS COLUMNAS DEL TRÍPODE 13

Asegúrese de que no haya obstrucciones antes de bajar el trípode.
 Baje las columnas como sigue
 Presione el botón rojo hacia abajo y, al mismo tiempo, eleve ligeramente la columna (1 cm).
 Mientras presiona el botón rojo "S" (fig. 13) hacia abajo, gire con fuerza una manivela en sentido antihorario.

CÓMO MANIOBRAR EL TRÍPODE UNA VEZ MONTADO 14 Y 15

Suelte los bloqueos de las ruedas "T" (fig. 14).
 Libere la posición de bloqueo de la dirección de la rueda "U" retirando el pasador "V" y gírelo 90°. La posición de bloqueo de la dirección de la rueda "U" permite definir una dirección de desplazamiento: es posible bloquear una o dos ruedas para elegir la dirección (fig. 15).



NO MUEVA EL TRÍPODE UNA VEZ QUE HAYA LEVANTADO LA CARGA.



SI EL TRÍPODE ESTÁ EN UN PLANO INCLINADO CON UNA PENDIENTE SUPERIOR A 5°

- Retire el peso antes de mover el trípode
- No mueva el trípode en la configuración de montaje; en su lugar, pliegue el trípode con el fin de moverlo con seguridad.



No se suba ni permanezca de pie sobre la base del trípode

CÓMO PLEGAR EL TRÍPODE

Para plegar el trípode, realice en orden contrario los pasos "MONTAJE DE LAS ASAS" y "ABRIR LA BASE Y NIVELAR"

CONSEJOS DE MANTENIMIENTO Y SERVICIO 16 17 Y 18

Para cada actividad de engrase, consulte el capítulo "OPERACIÓN DE ENGRASE".

Compruebe periódicamente que las cadenas que suben y bajan las columnas están en buen estado, a través de los orificios de inspección "W" de la caja de engranajes, después de retirar las tapas "X".
 Compruebe periódicamente que el movimiento de las columnas es suave y regular subiendo y bajando completamente el trípode.
 Cualquier anomalía, como movimientos bruscos de las columnas (fig. 17), debe ser comunicada al fabricante o al servicio técnico autorizado.
 Tras largos periodos de almacenamiento, recomendamos una limpieza e inspección a fondo del trípode. Limpie periódicamente la suciedad y los residuos de los tornillos de bloqueo y las partes deslizantes. No utilice herramientas metálicas o afiladas durante las operaciones de limpieza.
 Compruebe periódicamente el estado del trípode y de los acopladores moviendo las columnas sin ninguna carga. (fig. 18)

USO EN LUGARES CON ARENA (PLAYA, DESIERTO, ETC.)

Retire la grasa lubricante de las articulaciones, roscas y cojinetes para evitar que la arena se mezcle con la grasa y afecte negativamente al funcionamiento del trípode.
 Nota: Después de utilizar el trípode en lugares con arena, asegúrese de limpiarlo y de restablecer la grasa lubricante.

LUGARES CON BARRO Y SAL

Antes de utilizar el trípode en entornos con mucho barro o sal, todas las articulaciones, roscas y piezas móviles del trípode deben ser engrasadas. Después de trabajar en este tipo de entornos, el trípode debe ser limpiado por completo.

USO EN LUGARES FRÍOS Y HÚMEDOS

Asegúrese de que los cojinetes, las roscas y las articulaciones están engrasados. Si el trípode se va a utilizar durante largos periodos a temperaturas inferiores a la temperatura de congelamiento, asegúrese de que funcione la manivela de seguridad "S" (fig. 13).

Para comprobar esto, levante el trípode unos centímetros y presione hacia abajo la manivela de seguridad; repita esta acción varias veces para asegurarse de que la manivela funciona de manera correcta.

Si se ha formado hielo en las columnas o el mecanismo, intente descongelarlos pero no los exponga a una llama directa ni utilice fluido descongelante (las articulaciones y los cojinetes pueden verse afectados negativamente).

RECAMBIOS

En caso de que el producto resulte defectuoso, la unidad deberá ser devuelta a un agente de servicio autorizado de Videndum Media Solutions.

PROCEDIMIENTO DE REGULACIÓN DE LA COLUMNA 19 20 21 22 Y 23

1. Asegúrese de tener el trípode con la columna cerrada, con las patas abiertas y niveladas (utilice la burbuja de la cruceta superior).
2. Gire las ruedas hacia adentro hasta una posición radial y active el freno para evitar el desplazamiento. (fig. 19)
3. Extienda la columna hasta su altura máxima sin carga y muévala con la manivela ligeramente hacia adelante y atrás, hacia la derecha e izquierda, para ver si está bien guiada o si hay alguna holgura. (fig. 20)
4. Baje la columna hasta que las guías sean accesibles pero sin cerrar todo completamente. (fig. 21)
5. Para ajustar las distintas secciones de la columna, desenrosque los tornillos de las guías 1 y 2, haga avanzar la guía hasta la posición que desee y vuelva a atornillar las guías. Haga esto en las columnas que sea necesario. (fig. 22)
6. Para recuperar las holguras de la columna base, atornille los tacos presentes en el lateral de la columna (fig. 23) y reduzca las holguras laterales. Actúe sobre el grano central (fig. 23). Para recuperar la holgura y ajustar la columna en su dirección delantera.
7. Una vez que haya realizado el ajuste y se haya asegurado de que ha cerrado todos los tornillos, extienda la columna y compruebe que la regulación es satisfactoria; si no es así, repita el procedimiento.

OPERACIÓN DE ENGRASE 24

Para engrasar la zona indicada, utilice un pulverizador de grasa genérico.

Para la cadena de elevación, utilice un pulverizador de grasa para cadenas

1. Pasador de bloqueo de rotación de la rueda "Y"
2. Cojinete de empuje entre el trípode de la rueda y el estribo de pata móvil "Z"
3. Perno de pivote del estribo de pata móvil "AA"
4. Cadenas de elevación "AB"

MANTENIMIENTO DE LOS FRENSOS 25

Compruebe el correcto funcionamiento de las ruedas frenadas intentando forzar el movimiento de la rueda con el freno aplicado; si la rueda comienza a moverse al aplicar la fuerza, el freno debe ser ajustado:

1. Suelte el freno "AC"
2. Desbloquee el ajuste de las pastillas de freno desenroscando la tuerca de bloqueo "AD"
3. Ajuste la pastilla de freno apretando o aflojando el pasador roscado hasta que la pastilla toque la rueda; entonces, aleje la pastilla de la rueda aflojando el pasador roscado ½ vuelta "AE"
4. Accione el freno empujando la palanca y luego bloquee la pastilla de freno en su posición apretando la tuerca de bloqueo "AF" y "AG"
5. Suelte de nuevo el freno y asegúrese de que la rueda gira libremente sin tocar la pastilla de freno
6. Compruebe el ajuste correcto de los frenos como se ha explicado antes

Repita la comprobación para cada rueda

CÓMO IZAR EL TRÍPODE CON UN CABRESTANTE O UN EQUIPO DE ELEVACIÓN 26

Para mover el trípode utilizando un cabrestante u otro equipo de elevación, levante o baje el trípode con una eslinga de correas (no incluida) alrededor y a través de la araña superior "AH"

Mientras eleva o baja el trípode, verifique que esté bien equilibrado y que las patas estén bien sujetas "AI"

No cargue las eslingas de correas por encima de su capacidad de transporte máxima y compruebe que estén bien fijadas al trípode y al equipo de elevación.

PRECAUCIONES

No utilice el producto sin cumplir las instrucciones de funcionamiento.

No altere ni modifique el producto o sus piezas, pues de hacerlo pondrá en riesgo el funcionamiento y/o la seguridad del producto. Utilizar un producto que esté dañado debido, por ejemplo, a impactos o caídas accidentales, pone en riesgo su uso seguro.

En este caso póngase en contacto con su proveedor o con el fabricante por medio de la sección de atención al cliente de manfrotto.com.

Seque el producto después de utilizarlo en entornos húmedos a fin de evitar la corrosión, sobre todo cuando lo haya utilizado cerca de entornos marinos.

Este producto no está diseñado para utilizarlo sumergido en líquidos.



El trípode no debe dejarse desatendido ni al cuidado de personal no profesional.

EXENCIÓN DE RESPONSABILIDAD

La información que contiene este documento puede estar sujeta a modificaciones a lo largo del tiempo.

Si es necesario, compruebe si hay actualizaciones de este manual en el área Productos del sitio web de Manfrotto.com o Avenger.com, o acceda al área Contacto para solicitar que le envíen una copia actualizada.

Videndum Media Solutions no será responsable de ningún daño que surja, directa o indirectamente, debido a personas o animales, como consecuencia de la inobservancia de las instrucciones de este documento (en particular, las relacionadas con la instalación, uso y mantenimiento del producto), además de lesiones o daños que sean resultado del uso negligente o no contemplado en las limitaciones de operación normales.

Cualquier alteración o cambio realizado en el producto sin el permiso expreso de Videndum Media Solutions causará la exclusión de cualquier responsabilidad por parte de Videndum Media Solutions.

INFORMACIÓN PARA EL USUARIO

Eliminación del producto y los materiales de embalaje utilizados:

Trípode: La estructura principal es de aluminio y acero con protección de goma

Embalaje: Papel, cartón, insertos de poliestireno, bolsas de polietileno

Para desechar este producto y su embalaje, consulte la normativa vigente sobre los materiales del país donde va a desecharlo.

Le agradecemos su compra de un producto de Videndum Media Solutions.

Videndum Media Solutions garantiza que sus productos son adecuados para el fin con el que están diseñados y que no presentan defectos de materiales o mano de obra. Esta garantía no cubre el producto contra daños o un uso inadecuado.

La vigencia del periodo de Garantía estándar está definida por la legislación de cada país o región en que se haya vendido el producto.

Conserve el comprobante de compra del producto, pues le será solicitado si necesita una reparación.

El fabricante se reserva el derecho de realizar cualquier cambio en el producto descrito en este manual, en cualquier momento y sin previo aviso.

Cómo ampliar la cobertura de garantía:

Además de la cobertura de garantía obligatoria mencionada, Videndum Media Solutions ofrece una extensión de garantía de hasta 5 años desde la fecha de compra del producto. Esta extensión de la garantía no afecta a la cobertura de garantía obligatoria. Para beneficiarse la extensión de garantía, es necesario que registre su compra en nuestro sitio web: <https://warranty.videndummediasolutions.com>.

用途

本スタンドは、映画やテレビ番組の制作時にロケやスタジオ撮影で使用する照明器具を支持するために設計されており、使用は十分な訓練を受けたプロのユーザーのみ対象となっています。

安全にご使用いただくための注意事項

1. 本製品を使用する前に、本書をよくお読みください。
2. 本製品の設置や使用の際は、安全靴や作業用手袋などの適切な個人用保護具を着用してください。
3. 最大耐荷重: 80kg (176lb)
4. 動作温度範囲は、-20°C ~ +60°Cです。
5. 本製品を使用する設置面が安定しており、本製品の重量と取り付けられている機材の荷重に耐えられることを確認してください。
6. スタンドの設置や、何らかの調整/移動を行う前には、スタンドおよび積載物の設置領域に障害物や電気機器、ケーブル類、危険物が存在しないことを必ず確認してください。
7. 本製品は、専門的な技能を持つ方のみを対象としています。
8. 機材を取り付けた状態でセンターポールを高くする場合は、その前に必ずセンターポールが完全に水平調整された状態であることを確認してください。
9. 取り付けられている機材が正しく固定されており、完全に安定した状態であることを確認してください。
10. すべての積載物がバランスのとれた状態になっている必要があります(特にTバーを使用する場合)。
11. 屋外で2.5m (98インチ) を超える高さで使用する場合、または強風にさらされる場合は、アンカーワイヤーやウィンドブレースキット(製品には含まれません。087WBKは別売りです)を使用して本製品を設置することをお勧めします。
12. スタンドが良好な状態であるかどうか定期的にチェックしてください(「メンテナンス」章参照)。
13. 負傷防止のため、手や身体の一部が可動部に触れないようにしてください(画像を参照)。
14. オペレーターは常にスタンドに付き添い、決して無人のまま放置しないでください。これは特にスタンドの移動時を含みます。
15. 高さ7cm (2.75インチ) を越える段差や障害物を昇り降りする際は、スタンドの損傷や性能に影響を及ぼすような衝撃を避けるため、スタンドは障害物の上に持ち上げてください。
16. スタンドを動かす時は、使用者はスタンドを保持し、スタンドが自由に転がったり「フリーホイール」で惰性で動いたりしないようにコントロールする必要があります。
17. スタンドを動かしたりポールを持ち上げたりする前に、キャスター部のロックピン(図12)がロックポジションに完全に固定されていることを確認してください。
18. スタンドは、脚をベースセットアップの項(図4、5、6)に従って展開した状態で、硬いフローリングや砂利、芝生のような滑らかな起伏のある路面を移動するように設計されています。石や縁石のような大きな障害物を乗り越えてスタンドを押さないでください。
19. スタンドを移動させる際は、常にポールを完全に下げてください。

免責事項


下記の場合、メーカーは一切責任を負いません。

- ・ 本取扱説明書の内容に従わずに使用した場合
- ・ 訓練を受けていない人が使用した場合
- ・ 安全基準に違反した場合
- ・ メーカー指定の材料/機械加工以外を使用して修理された場合

持ち運び ①

スタンドを移動する際は、折りたたんだ状態にしてハンドル「A」をつかみ、キャスター「B」を使って運びます。

警告

 持ち運びの際には、必ず移動用のハンドルを使ってスタンドを動かしてください。ポール部分やクランク機構は持ち運びに使わないでください。

使用環境 ② & ③

スタンドは必ず平坦な設置面で使用してください。
スタンドには、地面のわずかな高さの差を補うことができるレベリングレグが備わっています。

スタンドは必ず、スタンドと積載物の両方の重量を許容できる強固な設置面に、キャスターがめり込まないように設置してください。キャスターがめり込むとスタンドが倒れるおそれがあります。設置面が軟らかい場合は、キャスターの下にボード「C」(図2)を敷いてください。
屋外で2.5m (98インチ) を超える高さで使用する場合、または強風にさらされる場合は、アンカーワイヤーやウィンドブレースキット(図3)(製品には含まれません。087WBKは別売りです)を使用して本製品を設置することをお勧めします。








設置

ベースを開いて水平を出す ④ ⑤ & ⑥

1. 固定フックを外して、脚を動かせるようにします(他の2本の脚でも繰り返します)(図4「D」)。
2. 脚を慎重に地面に降ろします(他の2本の脚でも繰り返します)(図4「E」)。
3. スプリングプランジャーを外側へ引き出し、レベリングレグを垂直位置から下方へ下げ、動かせるようにします(他の2本の脚でも繰り返します)(図4「F」)。
4. ロックピンを引き出し、キャスター部を回して垂直位置にします(他の2本の脚でも繰り返します)(図5「G」)。
5. 安全留め具を引き上げて「H」位置(図5)に固定し、レベリングレグをベースに取り付けます(他の2本の脚でも繰り返します)。
6. この低い取り付け位置では、スタンドに任意の照明器具を取り付けできます(「スタンドに機材を取り付ける」参照)(図6「J」)。
7. レベリングレグを回してスタンドを高くし、ベースの水平を出します。スタンドとスタンドに取り付けた機材が傾かないように、下部にある2個の気泡水準器を見て、気泡が中央のマーカー内にあることを確認します(図6「J」)。

注記: キャスタープレート「K」(図6)には、キャスターの方向を調整するための6つの穴があります。

警告

-  「R」(図12)を使用する前に、ブレーキが正しく機能することを確認してください。
-  スタンドを動かさないときは、常にブレーキをかけておく必要があります。
-  ポールを持ち上げる前に、本製品が正しく水平出されていることを確認してください(「ベースを開いて水平を出す」を参照)。
-  レベリングレグ部は、ポールから外れると自由に動きます。負傷防止のため、手や身体の一部が可動部「D」(図4)に触れないようにしてください。
-  レベリングレグ部は、安全留め具をベースから外すと自由に動きます。負傷防止のため、手や身体の一部が可動部「F」(図4)に触れないようにしてください。
-  キャスター部の位置を調整したり回したりする際は、手や身体の一部が可動部「G」(図5)に触れないようにしてください。
-  キャスター部を固定するときは、ロックピンが抜け落ちてキャスター部が外れないように、ロックピンが正しく取り付けられていることを確認してください。

ハンドルを設定する ⑦


スタンドにはハンドル「L」があり、はじめは内側を向いた状態になっています。操作位置にするには、次の手順に従ってハンドル「L」を回してください。

- 1) 固定ネジ「M」を反時計回りに緩めます。
- 2) レバー「L」を上げ、ピン「N」をハンドル軸「O」の溝から外します。
- 3) ハンドル「L」を操作位置まで回します。
- 4) 固定ネジ「M」を時計回りに締めてハンドル「L」を操作位置でロックします。ピン「N」はハンドル軸「O」の溝に固定されます。

スタンドに機材を取り付ける 8 9 & 10


スタンドが作業位置にあり、垂直軸のレベルが調整されていることを確認します。
固定ネジ「P」(図8)を緩めてから、スタンド上部の1-1/8インチ(28 mm)ソケットに照明器具のピゴットを挿入します。
固定ネジ「P」(図8)を締め、所定の位置に固定します。
2.5m(98インチ)を超える高さでスタンドを使用する場合、または強風にさらされる場合は、アンカーワイヤーやウィンドブレースキット(図9)(製品には含まれません。087WBKは別売りです)を使用して本製品を設置することをお勧めします。
特にTバー(図10)などを使用する場合は、すべての積載機材のバランスがとれた状態であればなりません。

警告

 機材を取り付けるためにスタンドを傾けないでください。

 機材を載せる前に、本製品が完全な状態であるか確認してください。


 ポールを高くする際は、事前に固定ネジ「P」(図8)が締められていることを確認してください。


 スタンドを目的の高さにしたときに、妨げになる物がないことを確認してください。

スタンドのポールを高くする 11 & 12

スタンドを目的の高さにしたときに、妨げになる物がないことを確認してください。
高さを調整する前に、以下の点を確認してください。

- スタンドが作業位置に正しく設定され、正しく水平出されているか
- 取り付ける機材が耐荷重80kg(176lb)を超えていないか
- 照明器具や延長アームのバランスがとれた状態で固定されているか
- 目的の高さにしたときに、妨げになる物がないか
- キャスターが固定され、ブレーキをかけた状態であるか

 不測の損傷を防ぐため、スタンド高さ調節時に照明器具の電源が入っていないこと、また電気ケーブルがポールに接触していないことを確認してください。


 ノブ「Q」(図11)が緩んで意図せずポールが下降しないように、ノブが正しく締められていることを確認してください。

目的の位置に設定したら、キャスターを外側に回してできる限り全体を安定させます(12)。
キャスターをロックし、ブレーキ「R」をかけます(図12)。
ハンドル「Q」(図11)を時計回りに回して機材を上昇させます。その際、二次安全ロックの赤色のボタン「S」(図11)が振動します(上昇中は押さないでください)。

注記: ポールを簡単に上げられない場合は、次の事項をチェックしてください。

- 機材の荷重がスタンドの耐荷重を超えていないか
- ポールが運搬中に損傷していないか
- 妨げになる物(天井、手すりなど)がないか

警告


 高くしたポールに機材を取り付けている状態ではスタンドを移動しないでください。

スタンドのポールを低くする 13

スタンドを低くする前に、障害物がないことを確認してください。
ポールは次のようにして下げてください。
赤色のボタンを押し下げ、それと同時にポールを少し(1cm)高くします。
赤色のボタン「S」(図13)を押し下げたまま、力を入れて一方のハンドルを反時計回りに回します。


設置済みのスタンドを移動する 14 & 15

キャスターのロック「T」(図14)を解除します。
ピン「V」を引き上げて90°回転させ、キャスターの向きのロック(U)を解除します。
キャスターの向きをロックする(U)ことで、移動する方向を設定できます。1個または2個のキャスターをロックして、方向を選択します(図15)。

 高くしたポールに機材を取り付けている状態ではスタンドを移動しないでください。

 傾斜角度が5°を超える斜面上にスタンドを設置した場合

- スタンドを動かす前に荷重を取り除いてください。
- 安全に移動するため、スタンドは設置した状態で動かさず、折りたたんだ状態にしてから動かしてください。

 スタンドのベースの上に登ったり立ったりしないでください。

スタンドを折りたたむ

スタンドを折りたたむには、「ハンドルを設定する」と「ベースを開いて水平を出す」の手順を逆行してください。

メンテナンスとサービスに関するヒント 16 17 & 18

グリース給油作業については、「グリース給油作業」の章を参照してください。

キャップ「X」を外し、ギアボックスの点検穴「W」から、ポールの高さを調整するチェーンが良好な状態であるか定期的に点検してください。
スタンドを最大限に上昇および下降させて、ポールの動きがスムーズで安定しているか定期的に点検してください。
ポールに異常がある場合や、急に動く場合(図17)には、製造元または認定サービスセンターまで報告してください。
スタンドを長期間にわたり保管していた場合は、スタンドを入念に清掃し点検することをお勧めします。
ロッキングねじやスライド部分に付着した汚れやごみを定期的に取り除いてください。
クリーニングには金属製の工具や鋭利な工具は使用しないでください。
機材を取り付けていない状態でポールを動かすことで、スタンドとクランクケースの状態を定期的にチェックしてください。(図18)

砂のある場所(ビーチ、砂漠など)での使用

砂と潤滑グリースが混ざり、スタンドの使用に悪影響を及ぼすことを防ぐため、接合部、ねじ山、軸受け部に塗布された潤滑グリースを除去してください。
注記: スタンドを砂のある場所で使用した後は、スタンドを清掃し、潤滑グリースを元のように給油してください。

ぬかるんだ場所や塩分を含む環境での使用

スタンドをぬかるんだ場所や塩分のある環境で使用する場合は、事前にスタンドのあらゆる接合部、ねじ山、可動部にグリースを塗布する必要があります。また、このような環境での使用後は、スタンドを完全にクリーニングする必要があります。

寒冷地や高湿度の場所での使用

すべての接合部、ねじ山、軸受け部にグリースが塗布されていることを確認してください。スタンドを長期間にわたり氷点下の環境で使用する場合は、安全レバー「S」(図13)が正常に機能することを確認してください。
安全レバーをチェックするには、スタンドを数cm上げ、安全レバーを押し下げます。この作業を数回繰り返して、安全レバーが正常に機能することを確認してください。
ポールやスタンドの機構が凍結してしまった場合は、直接火に近づけないように注意しながら除氷するか、除氷剤を使用してください(ただし、接合部および軸受け部は除氷剤の使用により悪影響を受ける場合があります)。

スペアパーツ

本製品に欠陥が生じた場合は、Videndum Media Solutions認定サービス代理店まで返品してください。

ボールの調整手順 19 20 21 22 & 23

1. ボールを最も低い位置にして、脚を開き、水平出しをしておきます(上部の気泡で確認)。
2. キャスターをすべて内側へ向け、動かないようにブレーキをかけます。(図19)
3. 機材を何も取り付けずにボールを最も高い位置まで伸ばし、ハンドルを使って前後左右に少し動かして、適切に反応するか、遊びがあるかどうかを確認します。(図20)
4. ガイドに手が届くようになるまでボールを低くします。ただし、完全には下げません。(図21)
5. ボールの各セクションを調整します。ガイドのネジ1と2を緩め、ガイドを必要とされる位置に移動し、再びネジを締めます。ボールを希望する高さにしてこの作業を行います。(図22)
6. ベースボールの隙間を埋めるため、ボールの側面に付属のキーを差し込み(図23)、横方向の隙間を小さくします。その際、中央のネジ山にキーを当てます(図23)。キーを用いてボールの前側の隙間を埋めます。
7. 調整が済み、すべてのネジが締められていることを確認したら、ボールを伸ばし、うまく調整されているか確認します。必要であれば、上記の手順を繰り返します。

グリス給油作業 24

下記の領域に一般的なグリススプレーでグリスを注油します。
リフティングチェーンには、一般的なチェーン用グリススプレーを使用してください。

1. キャスター回転ロックピン「Y」
2. キャスターフォークと可動脚ブラケットの間のスラストベアリング「Z」
3. 可動脚ブラケットのピボットピン「AA」
4. リフティングチェーン「AB」

ブレーキのメンテナンス 25

まず、ブレーキが正しく機能しているか点検してください。ブレーキをかけた状態でキャスターを動かそうとする力を加え、その際にキャスターが動くようであればブレーキを調整する必要があります。

1. ブレーキを解除します(AC)。
2. ロックナットを緩め、ブレーキパッドを調整できるようにします(AD)。
3. ネジ付きピンを締めたり緩めたりしてブレーキパッドを調整し、パッドをキャスターに接触させます。その後、ネジ付きピンを1/2回転緩め、ブレーキパッドをキャスターから取り外します(AE)。
4. レバーを押してブレーキをかけ、ロックナットを締めてブレーキパッドを所定の位置にロックします(AF, AG)。
5. ブレーキをもう一度解除し、キャスターがブレーキパッドに触れることなく回転することを確認します。
6. ブレーキが正しく調整されているか、先ほどと同じように点検します。

各キャスターで点検を行ってください。

ウィンチまたはその他の昇降装置でスタンドを持ち上げる 26

ウィンチまたはその他の昇降装置を使用してスタンドを移動させる際には、ベルトスリング(本製品には含まれません)を上部のスパイダー部の周囲に通してスタンドを昇降させてください(AH)。
昇降時は、スタンドのバランスが保たれていること、脚がしっかりと固定されていることを確認してください(AI)。
ベルトスリングには、絶対に最大積載量を超える負荷をかけないでください。また、ベルトスリングが正しくスタンドおよび昇降装置に固定されていることを確認してください。

注意事項

規定の動作限界を超えて製品を使用しないでください。
製品の操作性や安全性を損なうおそれがあるため、製品およびその部品の改造や改変は行わないでください。衝撃や不測の落下などにより損傷している製品は、安全に使用できない可能性があります。
そのような場合は、販売店、またはウェブサイト(manfrotto.com)のお問い合わせページから直接メーカーにご連絡ください。
腐食の発生を防ぐため、高湿度の環境での使用後、とりわけ海洋環境の近くでの使用後は、製品を乾燥させてください。
本製品は、液体に浸漬した状態で使用できるように設計されていません。



本製品は無人のまま放置しないでください。また、専門的な技能を持たない方が手を触れることのないようにしてください。

責任の除外

本書に記載されている情報は、時間の経過に伴って変更される可能性があります。
必要に応じて、ウェブサイト(Manfrotto.comまたはAvenger.com)の製品ページで本書の更新情報を確認するか、または、お問い合わせページから本書の最新版をご請求ください。
Videndum Media Solutionsは、(とりわけ製品の設置、使用および、保守に関して)本書のすべての記載事項を順守しなかったことに起因して、人、物、または動物から直接または間接的に派生するあらゆる損害、ならびに不適切な使用または通常の動作限界を超えた使用に起因する傷害および損害に関して一切責任を負いません。
Videndum Media Solutionsからの明示的な許可なしに本製品に変更または改造が加えられた場合、Videndum Media Solutionsは自動的にいかなる責任も免除されるものとします。

ユーザー向け情報

製品の廃棄および使用梱包材について：
スタンド: 主な構造はアルミニウムおよびスチールを材料としおり、ゴム製の保護が施されています。
梱包材: 紙、ボール紙、ポリスチレンインサート、ポリエチレン袋
製品および梱包材を廃棄する際は、それらが廃棄される国において上記の材料に適用される法規をご確認ください。

Videndum Media Solutions製品をご購入いただき、ありがとうございます。
Videndum Media Solutionsは、弊社の製品が、その本来の使用目的に合うものであり、かつ、材料および製造上の瑕疵がないことを保証します。この保証は、製品の損傷および不適切な使用に対しては適用されません。
標準保証期間は、製品が販売される国、州、または地域において適用される法律によって定められています。
製品の修理を依頼される際には、製品の購入証明書の写しが必要となりますので、必ず保管しておいてください。

製造者は、本書に記載されている製品をいつでも予告なく変更する権利を留保します。

保証期間を延長するには：
Videndum Media Solutionsは、上記の義務付けられている標準保証期間に加え、本製品の購入日から5年間の延長保証を提供しています。保証期間を延長しても、義務付けられている標準保証期間は影響を受けません。延長保証を受けるには、弊社ウェブサイト(<https://warranty.videndummediasolutions.com>)でご購入内容をご登録いただく必要があります。

용도

이 스탠드는 현장이나 스튜디오에서 영화 및 방송 제작용 조명의 지지대 용도로 설계되었으며 완전히 훈련된 전문 사용자만 사용할 수 있습니다.

안전한 작동을 위한 참고 사항

1. 이 제품을 사용하기 전에 다음 지침을 주의 깊게 읽으십시오.
2. 제품 설치 및 사용 시 안전화, 작업용 장갑 등 개인 보호 장비를 착용하십시오.
3. 최대 하중: 80kg(176lb)
4. 작동 온도 범위는 -20° C - +60° C입니다.
5. 이 제품을 설치할 지면이 안정적인지 그리고 스탠드의 무게와 부착물의 하중을 견딜 수 있는지 확인하십시오.
6. 스탠드의 위치를 정하거나 스탠드 조정/이동을 수행하기 전에 스탠드와 스탠드 부착물이 위치할 영역에 방해물, 전기 설비, 케이블 또는 위험 요소가 없는지 확인하십시오.
7. 이 제품은 숙련된 작업자가 사용해야 합니다.
8. 부착물을 들어올리려고 시도하기 전에 가운데 기둥이 완전하게 수평인지 확인하십시오.
9. 부착물이 제대로 고정되어 있고 완전하게 안정적인 상태인지 확인하십시오.
10. 모든 부착물은 균형을 이루어야 합니다(특히 T 바를 사용하는 경우).
11. 옥외에서 2.2 m(98")를 초과하는 높이로 사용하거나 바람이 많이 부는 상황에서는 앵커 와이어 및/또는 윈드브레이스 키트를 사용하여 제품을 설치하는 것이 좋습니다(윈드브레이스 키트 미포함. O87WBK 별매).
12. 스탠드의 상태가 양호한지 주기적으로 확인하십시오("유지보수" 장 참조).
13. 잠재적 부상을 방지하려면 손이나 신체의 다른 부분이 구동부에 닿지 않도록 하십시오(이미지 참조).
14. 작업자는 항상 스탠드와 함께해야 하며 절대 자리를 비우서는 안 됩니다. 특히 스탠드를 이동할 때에도 마찬가지입니다.
15. 7cm(2.75인치)가 넘는 계단 또는 장애물을 오르거나 내릴 때는 스탠드의 성능을 손상시키거나 영향을 미칠 수 있는 충격을 피하기 위해 스탠드를 장애물 위로 들어 올려야 합니다.
16. 스탠드가 움직일 때 사용자는 스탠드를 꼭 붙잡아서 굴러 떨어지지 않도록 통제력을 유지해야 합니다.
17. 스탠드를 이동하거나 기둥을 올리기 전에 휠 어셈블리 잠금 핀(그림 12)이 잠금 위치에 완전히 고정되었는지 확인합니다.
18. 스탠드는 단단한 바닥, 자갈 또는 잔디와 같은 부드럽고 기복이 있는 표면에서 베이스 설치 섹션(그림 4, 5 및 6)에 따라 다리를 펼쳤을 때 움직일 수 있도록 설계되었으므로 고르지 않은 표면이나 바위 또는 언덕과 같은 큰 장애물 위로 스탠드를 밀어서 이동해서는 안 됩니다.
19. 스탠드를 이동할 때는 항상 기둥을 완전히 내려야 합니다.

부인


제조업체는 다음에 대해 책임을 지지 않습니다.

- 현행 지침을 준수하지 않은 모든 사용.
- 훈련되지 않은 직원에 의한 모든 사용.
- 안전 표준을 위반한 모든 사례.
- 제조업체에서 지정하지 않은 자재/가공 방법을 사용한 모든 수리.

운반 1

접힌 상태에서 운반 바퀴"B"를 통해 스탠드를 조작하려면 핸들"A"를 사용하십시오.

경고

 운반 시 스탠드를 잡을 때에는 제공된 핸들만 사용해야 합니다. 기둥 섹션이나 크랭크 메커니즘을 사용하여 스탠드를 조작하지 마십시오.

작동 환경 2 & 3

스탠드는 평평한 표면에서만 사용해야 합니다. 스탠드에는 미세한 지면 높이의 차이를 보정할 수 있는 수평 조절 다리가 있습니다. 스탠드는 스탠드와 스탠드 부착물의 무게를 견딜 수 있고 바퀴가 지면 아래로 꺼지지 않는 단단한 지면에 설치해야 합니다. 그렇지 않으면 스탠드가 넘어질 수 있습니다. 지면이 부드럽다면 바퀴 아래에 보드"C"(그림 2)를 대십시오.

옥외에서 2.2 m(98")를 초과하는 높이로 사용하거나 바람이 많이 부는 상황에서는 앵커 와이어 및/또는 윈드브레이스 키트(그림 3)를 사용하여 제품을 설치하는 것이 좋습니다(윈드브레이스 키트 미포함. O87WBK 별매).








설치

베이스 열기 및 수평 조절 4 5 & 6

1. 고정 후크를 풀고 다리를 펼칩니다(다른 두 개의 다리에 대해서도 반복). (그림 4의 "D")
2. 다리를 조심스럽게 지면으로 내립니다(다른 두 개의 다리에 대해서도 반복). (그림 4의 "E")
3. 스프링 플런저를 바깥쪽으로 당기고 수직 위치에서 다리를 내려 수평 조절 다리를 펼칩니다(다른 두 개의 다리에 대해서도 반복). (그림 4의 "F")
4. 잠금 핀을 당기고 바퀴 어셈블리를 수직 위치로 돌립니다(다른 두 개의 다리에 대해서도 반복). (그림 5의 "G")
5. 안전 캐치를 위로 당기고 "H"(그림 5) 위치에 고정하여 수평 조절 다리를 베이스에 부착합니다(다른 두 개의 다리에 대해서도 반복).
6. 이 위치에서 낮은 로드 높이를 활용하여 원하는 조명과 함께 스탠드를 로드할 수 있습니다. ("스탠드 로드"를 참조하십시오.) (그림 6의 "I")
7. 수평 조절 다리를 돌려 스탠드를 올리고 베이스를 수평으로 맞추십시오. 하단에 위치한 두 개의 수평 조절 기포가 중앙 마커를 벗어나지 않도록 수평을 조절하여 스탠드와 스탠드에 장착된 장비가 넘어지지 않도록 방지합니다. (그림 6의 "J")

참고: 바퀴 플레이트 "K"(그림 6)에는 바퀴 방향을 선택하기 위한 6개의 구멍이 있습니다.

경고

-  사용하기 전에 브레이크가 제대로 작동하는지 확인하십시오. (그림 12의 "R")
-  스탠드를 이동하는 중이 아닐 때에는 항상 브레이크가 체결되어 있어야 합니다.
-  기둥을 올리기 전에 제품의 수평이 올바른지 확인하십시오('베이스 열기 및 수평 조절' 참조).
-  기둥에 걸려 있는 수평 조절 다리 어셈블리를 풀면 어셈블리를 자유롭게 움직일 수 있습니다. 잠재적 부상을 방지하려면 손이나 신체의 다른 부분이 구동부에 닿지 않도록 하십시오. (그림 4의 "D")
-  베이스에 걸려 있는 수평 조절 다리 어셈블리 안전 캐치를 풀면 어셈블리를 자유롭게 움직일 수 있습니다. 잠재적 부상을 방지하려면 손이나 신체의 다른 부분이 구동부에 닿지 않도록 하십시오. (그림 4의 "F")
-  바퀴 어셈블리를 위치 지정하거나 회전할 때 손이나 신체의 다른 부분이 구동부에 닿지 않도록 하십시오. (그림 5의 "G")
-  바퀴 어셈블리를 고정할 때 잠금 핀이 제자리에 올바르게 위치했는지 확인하십시오. 잠금 핀이 빠지면 바퀴 어셈블리가 떨어질 수 있습니다.

핸들 설치 7





스탠드에는 안쪽으로 돌릴 수 있는 핸들("L")이 제공됩니다. 다음 순서로 핸들 "L"을 작동 위치로 회전합니다.

- 1) 고정 나사 "M"을 시계 반대 방향으로 풀니다.
- 2) 레버 "L"을 들어올려 핸들 축 "O"의 채널에서 핀 "N"을 풀니다.
- 3) 핸들 "L"을 작동 위치로 회전합니다.
- 4-5) 고정 나사 "M"을 시계 방향으로 조여 핸들 "L"을 제자리에 잠고 핀 "N"이 핸들 축 "O"의 채널에 고정되도록 합니다.

스탠드 로드 8 9 & 10

스탠드가 수평 수직 축의 작업 위치에 있는지 확인합니다.
 조명 스피켓을 스탠드 상단의 1-1/8" (28mm) 소켓에 삽입하기 전에 잠금 나사 "P"(그림 8)를 풀니다.
 제자리에 고정하려면 잠금 나사 "P"(그림 8)를 조입니다.
 2.2 m(98")를 초과하는 높이에서 또는 바람이 많이 부는 상황에서 스탠드를 작동하는 경우에는 앵커 와이어 및/또는 윈드브레이스 키트(그림 9)를 사용하여 제품을 설치하는 것이 좋습니다(윈드브레이스 키트 미포함, 087WBK 발매).
 모든 부착물은 균형을 이루어야 합니다(특히 T 바 등을 사용하는 경우, 그림 10).


경고


-  장비 로드를 위해 스탠드를 기울이지 마십시오.
-  부착물을 로드하기 전에 제품의 무결성을 확인하십시오.
-  기둥을 올리기 전에 잠금 나사 "P"(그림 8)를 조였는지 확인하십시오.
-  스탠드를 원하는 높이로 올릴 때 스탠드의 이동이 방해받지 않도록 하십시오.

스탠드 기둥 올리기 11 및 12

스탠드를 원하는 높이로 올릴 때 스탠드의 이동이 방해받지 않도록 하십시오.
 높이를 조정하기 전에 다음을 확인하십시오.

- 스탠드가 작업 위치에 올바르게 설치되었고 수평이 맞는지 확인합니다.
- 부착물이 최대 하중인 80kg(176lb)을 초과하지 않는지 확인합니다.
- 조명 또는 확장 암의 균형이 제대로 잡혀 있고 잘 잡혀 있는지 확인합니다.
- 스탠드를 원하는 높이로 올릴 때 스탠드의 이동이 방해받지 않는지 확인합니다.
- 바퀴를 잠그고 브레이크를 체결해야 합니다.

 우발적인 손상을 피할 수 있도록 스탠드를 올리거나 내릴 때 조명의 전원이 꺼져 있는지 확인하고 전기 케이블이 기둥에 접촉하지 않게 하십시오.


-  노브 "Q"(그림 11)가 느슨해지거나 실수로 떨어지지 않도록 노브를 제대로 조이십시오.

제자리에 있을 때에는 바퀴를 바깥쪽으로 돌려 안정감을 극대화하십시오. (12)
 바퀴를 잠그고 브레이크 "R"(그림 12)를 체결하십시오.
 부착물을 올리려면 핸들 "Q"(그림 11)를 시계 방향으로 돌립니다. 기둥이 올라갈 때 보조 안전 잠금 장치인 빨간색 버튼 "S"(그림 11)가 진동합니다(올라가는 동안 누르지 말 것).

참고: 기둥을 올리는 데 어려움이 있으면 다음을 확인하십시오.

- 부착물이 스탠드의 지정 하중을 초과합니까?
- 이동 중에 기둥이 손상되지는 않았습니까?
- 방해물(천장, 난간 등)이 있습니까?

경고




-  부착물을 올린 경우에는 스탠드를 이동하지 마십시오.

스탠드 기둥 내리기 13

스탠드를 내리기 전에 방해물이 없는지 확인하십시오.
 다음과 같이 기둥을 내리십시오.
 빨간색 버튼을 아래로 누르고 동시에 기둥을 약간(1cm) 올립니다.
 빨간색 버튼 "S"(그림 13)를 아래로 누른 상태에서 핸들 하나를 시계 반대 방향으로 세게 돌립니다.

설치 후 스탠드 조작 14 및 15

바퀴 잠금 "T"(그림 14)를 풀니다.
 핀 "V"를 당겨 바퀴 방향 잠금 위치 "U"를 풀고 90° 회전합니다.
 바퀴 방향 잠금 위치 "U"를 통해 이동 방향을 정의할 수 있습니다. 방향 선택을 위해 하나 또는 두 개의 바퀴를 잠글 수 있습니다(그림 15).

-  부착물을 올린 경우에는 스탠드를 이동하지 마십시오.
-  스탠드가 경사각이 5° 를 초과하는 경사면에 있는 경우
 - 스탠드를 이동하기 전에 무게를 최소화하십시오.
 - 스탠드를 안전하게 이동하려면 설치 완료된 상태로 이동하지 마십시오. 대신 접힌 구성으로 스탠드를 접으십시오.
-  스탠드 베이스에 올라가거나 베이스 위에서 서 있지 마십시오.

스탠드 접기

스탠드를 접으려면 "핸들 설치" 및 "베이스 열기 및 수평 조절" 단계를 반대로 진행하십시오.

유지보수 및 서비스 팁 16 17 및 18

그리스 작업에 대해서는 "그리스 작업" 장을 참조하십시오.

캡 "X"를 제거한 후 기어 박스의 검사 구멍 "W"를 통해 기둥을 올리고 내리는 데 사용되는 체인의 상태가 양호한지 주기적으로 확인하십시오.
 스탠드를 끝까지 올렸다가 내려 기둥이 부드럽게 그리고 일정하게 움직이는지 주기적으로 확인하십시오.
 기둥의 이상, 갑작스러운 움직임(그림 17)은 제조업체 또는 공인 서비스 센터에 보고해야 합니다.
 오랜 기간 보관한 후에는 스탠드를 깨끗하게 청소하고 검사하는 것이 좋습니다.
 잠금 나사와 슬라이딩 부품의 먼지를 정기적으로 제거하십시오.
 청소 시 금속성 또는 날카로운 도구를 사용하지 마십시오.
 부착물 없이 기둥을 이동하여 스탠드 및 크랭크 케이스의 상태를 정기적으로 확인하십시오. (그림 18)

모래가 많은 장소(해변, 사막 등)에서의 사용

조인트, 스레드 및 베어링에서 그리스를 제거하여 그리스와 혼합된 모래가 스탠드의 작동에 악영향을 미치지 않도록 합니다.
 참고: 모래가 많은 장소에서 스탠드를 사용했다면 스탠드를 청소하고 그리스를 원래대로 복원해야 합니다.

질퍽거리거나 염도가 높은 장소

질퍽거리거나 염도가 높은 장소에서 스탠드를 사용하기 전에 스탠드의 모든 조인트, 스레드, 이동 부품에 그리스를 주유합니다. 이러한 환경에서 작업한 후에는 스탠드를 깨끗하게 청소해야 합니다.

좁고 습한 장소에서의 사용

모든 조인트 스레드 및 베어링에 그리스를 주유해야 합니다. 스탠드를 영하의 온도에서 오랜 기간 사용해 하는 경우 안전 레버 "S"(그림 13)가 완전하게 작동하는지 확인해야 합니다.
 이것을 확인하려면 스탠드를 몇 센티미터 위로 올리고 안전 레버를 아래로 누릅니다. 이 작업을 몇 번 반복하여 레버가 올바르게 작동하는지 확인합니다.
 기둥 또는 메커니즘이 동결될 경우 제빙을 시도하되 직접적으로 화염에 노출시키거나 제빙 용액(이로 인해 조인트 및 베어링이 손상될 수 있음)을 사용하지는 마십시오.

예비 부품

제품에 결함이 있는 경우 해당 장치는 공인 Videndum Media Solutions 서비스 대리점에 반품해야 합니다.

기동 조정 절차 19 20 21 22 및 23

1. 스탠드의 기동이 닫혀 있고 다리가 열려 있으며 수평인 상태인지 확인합니다(상단 크로스의 기포 사용).
2. 바퀴를 안쪽으로(반경 방향) 돌리고 움직이지 않도록 브레이크를 체결합니다. (그림 19)
3. 부착물이 없는 상태에서 기동을 최대 높이까지 연장하고 핸들을 사용하여 기동을 앞뒤 좌우로 가볍게 움직여 제대로 가이드가 되는지 또는 유격은 없는지 확인합니다. (그림 20)
4. 가이드에 액세스할 수 있을 때까지 기동을 낮춥니다(모두 완전히 닫지는 말 것). (그림 21)
5. 기동의 여러 섹션을 조정하려면 가이드 1과 2의 나사를 풀고 가이드를 필요한 위치로 전진시킨 다음 가이드를 다시 조입니다. 원하는 기동에서 이 작업을 수행합니다. (그림 22)
6. 베이스 기동의 틸새를 복구하려면 기동 측면의 맞춤못을 조이고(그림 23) 측면 틸새를 조입니다. 중앙 그레인에서 작업을 수행합니다(그림 23). 느슨함을 복구하려면 기동을 전방으로 조정합니다.
7. 조정을 수행했고 모든 나사를 닫았다면 기동을 확장하고 조정이 성공적이었는지 확인합니다(절차를 반복하지 않는 경우).

그리스 작업 24

표시된 영역에 그리스를 주유하려면 일반 그리스 스프레이를 사용하십시오. 리프트 체인에는 체인용 일반 그리스 스프레이를 사용하십시오.

1. 바퀴 회전 잠금 핀 "Y"
2. 바퀴 브래킷과 움직일 수 있는 다리 등자 사이의 스러스트 베어링 "Z"
3. 움직일 수 있는 다리 등자의 피벗 핀 "AA"
4. 리프트 체인 "AB"

브레이크 유지보수 25

브레이크가 적용된 상태에서 바퀴를 강제로 움직여 보고 브레이크가 제대로 작동하는지 확인합니다. 힘을 가했을 때 바퀴가 움직이기 시작한다면 브레이크를 조정해야 합니다.

1. 브레이크를 풉니다. "AC"
2. 잠금 너트를 풀어 브레이크 패드 조정 잠금을 해제합니다. "AD"
3. 패드가 바퀴에 닿을 때까지 나사산 핀을 조이거나 풀어 브레이크 패드를 조정한 다음 나사산 핀을 반바퀴 (1/2) 풀어 바퀴에서 브레이크 패드를 떨어뜨립니다. "AE"
4. 레버를 밀어 브레이크를 체결한 다음 잠금 너트를 조여 브레이크 패드를 제자리에 잠급니다. "AF" 및 "AG"
5. 브레이크를 다시 풀고 바퀴가 브레이크 패드 접촉 없이 자유롭게 회전하는지 확인합니다.
6. 위에서 설명한 대로 올바른 브레이크 조정을 확인합니다.

각 바퀴에 대해 확인 작업을 반복합니다.

원치 또는 리프트 장치를 사용하여 스탠드 들어올리기 26

원치 또는 기타 리프트 장치를 사용하여 스탠드를 이동하려는 경우에는 벨트 슬링(포함되지 않음)을 상단 스파이더 AH에 두르거나 통과시켜 스탠드를 올리거나 내리십시오.

스탠드를 올리거나 내릴 때에는 스탠드가 균형을 이루고 있는지 그리고 레그를 단단히 고정했는지 확인하십시오.


벨트 슬링을 사용하는 경우 벨트 슬링의 최대 적재량이 초과되지 않도록 하고 벨트 슬링이 스탠드 및 리프트 장치에 제대로 고정되었는지 확인하십시오.

예방 조치

정의된 작동 제한을 초과하여 제품을 사용하지 마십시오.

제품의 작동 및/또는 안전에 영향을 줄 수 있으므로 제품 또는 해당 부품을 변경하거나 개조하지 마십시오. 예를 들어 충격으로 또는 실수로 넘어져 손상된 제품을 사용하면 제품의 안전한 사용에 영향을 미칠 수 있습니다. 그러한 경우에는 manfrotto.com의 고객 서비스 섹션을 통해 소매점 또는 제조업체에 직접 문의하십시오. 습한 장소(특히 바다에 인접한 환경)에서 제품을 사용한 후에는 부식이 발생하지 않도록 제품을 건조시켜야 합니다.

본 제품은 유체에 담가 사용하도록 설계되지 않았습니다.

 스탠드를 관리감독자 없이 방치하거나 비전문가가 액세스할 수 있도록 두어서는 안 됩니다.

책임의 배제

이 문서에 포함된 정보는 시간이 지남에 따라 변경될 수 있습니다.

필요한 경우 Manfrotto.com 또는 Avenger.com 웹 사이트의 Products(제품) 영역에서 이 매뉴얼에 대한 업데이트를 확인하거나 Contact us(문의처) 영역을 통해 업데이트된 사본의 전송을 요청하십시오.

Videndum Media Solutions는 제품의 부적절한 사용이나 일반적인 작동 제한을 초과하는 사용에 따른 부상이나 손상을 비롯하여 이 문서의 지침(특히 제품의 설치, 사용 및 유지보수 관련 지침)을 준수하지 않음에 따라 사람, 사물 또는 동물에 직간접적으로 발생할 수 있는 일체의 손해에 대해 책임을 지지 않습니다.

Videndum Media Solutions의 명시적인 허가 없이 제품을 변형하거나 변경하면 Videndum Media Solutions의 책임이 자동으로 배제됩니다.

사용자 정보

제품 폐기 및 사용된 포장재:

스탠드: 기본 구조의 소재는 알루미늄 및 강철입니다. 고무 보호

포장: 종이, 판지, 폴리스티렌 인서트, 폴리에틸렌 백

제품 및 해당 포장을 폐기하려면 위에서 언급한 소재의 제품을 폐기하는 국가에서 시행하고 있는 관련 규정을 참조하십시오.

Videndum Media Solutions 제품을 구매해 주셔서 감사합니다.

Videndum Media Solutions는 해당 제품이 설계된 목적에 적합하며, 물리적인 결함이나 제품 제작상의 실수로 인한 결함이 없음을 보증합니다. 이 보증은 제품의 손상 또는 부적절한 사용에 대해서는 적용되지 않습니다.

표준 보증 기간은 제품이 판매된 국가 또는 지역에서 시행하고 있는 법률로 정의됩니다.

수리 시에 필요하므로 제품의 구매 증명 사본을 보관하십시오.

제조업체는 이 매뉴얼에 설명된 제품을 언제라도 사전 통지 없이 변경할 수 있는 권리를 보유합니다.

보증 기간 연장 방법:

Videndum Media Solutions는 위에서 언급한 표준 보증 기간 외에 본 제품의 구매일로부터 최대 5년까지 보증 연장을 제공합니다. 보증 연장은 표준 보증 기간에 영향을 미치지 않습니다. 보증 연장의 혜택을 받으려면 당사 웹 사이트(<https://warranty.videndummediasolutions.com>)에서 구매 등록을 해야 합니다.

预期用途

支架设计用于在现场或演播室内创作电影和广播电视作品时支撑灯具，仅供经过全面培训的专业用户使用。

安全操作说明

1. 使用本产品之前，请仔细阅读这些说明
2. 在安装和使用产品时，确保使用正确的个人防护设备，如安全鞋和工作手套。
3. 最大负载：80kg (176lb)
4. 工作温度范围 -20° - +60° C
5. 确保放置本产品的地面稳定，并且可以承受支架和所连接项目有效负载的重量。
6. 定位支架以及对支架进行任何调整/移动之前，确保支架及其负载所在区域无障碍物、带电物体、绳索或危险物品。
7. 本产品只能由拥有相关经验的人员使用。
8. 尝试升起中心立柱上所连接的任何项目之前，应确保中心立柱完全垂直。
9. 确保连接的物件正确锁定且完全稳定。
10. 所有负载均应平衡连接，尤其在使用T型杆时。
11. 在室外使用时，如果高度超过 2.5m (98")或者存在刮风情况，建议使用锚索和/或防风拉杆套件固定产品（不包括 087WBK，单独出售）。
12. 定期检查支架状况是否良好（参见“维护”一章）
13. 为防止潜在的伤害，请将手和身体其他部位远离运动部件（请参阅图）
14. 操作人员应始终与支架在一起，切勿无人看管。这尤其包括移动支架时。
15. 当上下台阶或障碍物高度超过 7 厘米 (2.75 英寸) 时，应将支架举过障碍物，以避免撞击而导致支架损坏或影响其性能。
16. 当支架移动时，用户应握住支架进行控制，不要让支架自由滚动或“滑行”。
17. 移动支架或升起立柱之前，确保将轮子组件锁销 (12) 完全固定在锁定位置。
18. 支架设计为当支架根据底座设置部分 (4、5 和 6) 在平滑的起伏表面上展开时移动，例如：硬地板、砾石或草地上，请勿将支架推过更激烈的平整表面或者岩石或路缘等大型障碍物。
19. 移动支架时，应始终完全降下立柱。

免责声明

制造商不承担以下责任：

- 任何不符合本说明的使用。
- 任何未经培训的人员使用。
- 任何违反安全标准的情况。
- 使用制造商所指定材料以外的材料/机械进行维修的任何情况。

运输 ①

当支架处于折叠状态时，使用把手 (A) 通过运输轮 (B) 调动支架。

警告



运输时，用户只能用提供的把手握住支架。请勿使用立柱部分或曲柄机构操纵支架

工作环境 ② 和 ③

支架只能在平面上使用。

支架具有调平支腿，可以补偿地面的边际差异。

支架必须安装在坚固的地面上，能够同时承受支架及其负载的重量且不会出现任何轮子下沉情况，否则会导致支架倾翻。如果地面松软，可在轮子下放置板“C” (图 2)。

在室外使用时，如果高度超过 2.5 m (98")或者存在刮风情况，建议使用锚索和/或防风拉杆套件 (图 3) 固定产品 (不包括 087WBK，单独出售)。

安装

打开底座及调平 ④ ⑤ 和 ⑥

1. 解开固定钩以释放支腿 (对其他两个支腿重复) "D" (图4)

2. 小心地将支腿放低至地面 (对其他两个支腿重复) "E" (图4)
3. 向外拉动弹簧柱塞并从垂直位置降低支腿以释放调平支腿 (对其他两个支腿重复) "F" (图4)
4. 拉出锁销并将轮子组件旋转到垂直位置 (对其他两个支腿重复) "G" (图5)
5. 通过拉起安全锁销并紧固到位置"H" (图5)，将调平支腿连接到底座上 (对其他两个支腿重复)
6. 在此位置，您可以利用低负载高度功能为支架加载所需的灯具。(请参阅“在支架上安装负载”) "I" (图6)
7. 转动调平支腿以升高支架并调平底座。使用下部两个调平气泡作为参考，确保气泡不会离开中央标记，以防止支架及其安装设备的潜在倾斜"J" (图6)

注意：轮子板"K" (图6) 具有6个孔位置，以便选择轮子方向。

警告



使用"R"前，确保制动器操作正常 (图12)



在无需移动支架时，应始终启用制动器。



在升高立柱前，确保产品正确调平 (请参阅“打开底座及调平”)。



调平支腿组件从立柱上松开后，即可自由移动。为防止潜在的伤害，请将手和身体其他部位远离运动部件"D" (图4)



调平支腿组件安全锁销从底座上松开后，即可自由移动。为防止潜在的伤害，请将手和身体其他部位远离运动部件"F" (图4)



定位和旋转轮子组件时，请确保将手和身体其他部位远离运动部件"G" (图5)



固定轮子组件时，确保锁销正确定位在其座上，以防止其滑出位置以及导致轮子组件松开的潜在风险。

把手设置 ⑦

支架配有向内转动的把手"L"。

通过以下方式将把手"L"旋转到操作位置：

- 1) 逆时针拧松固定螺钉"M"
- 2) 升起杆"L"，以便将销"N"从把手轴"O"的通道上取下
- 3) 将把手"L"旋转到操作位置
- 4-5) 顺时针拧紧固定螺钉"M"，将把手"L"锁定到位，使销"N"固定在把手轴"O"的通道中。

在支架上安装负载 ⑧ ⑨ 和 ⑩

确保支架处于工作位置，垂直轴水平。

将灯具栓插入支架顶部的1-1/8" (28 mm) 插座之前，松开锁定螺钉"P" (图8)。拧紧锁定螺钉"P" (图8) 使其固定到位。

使用支架期间，如果高度超过 2.5m (98")或者存在刮风情况，建议使用锚索和/或防风拉杆套件 (图9) 固定产品 (不包括 087WBK，单独出售)。

所有负载均应平衡连接，尤其在使用T型杆时 (图10)。

警告



请勿倾斜支架负载设备。



负载前请检查产品的完整性。



升高立柱前，确保已拧紧锁定螺钉"P" (图8)。


 确保支架在升起需要的高度时不会受阻。


升起支架的立柱D 11 和 12

确保支架在升起需要的高度时不会受阻。

调整高度前，请检查以下各项：

- 确保支架正确设置在工作位置并正确调平
- 确保负载不超过最大负荷：80kg (176lb)
- 确保灯具或延伸臂正确平衡并锁定
- 确保支架在升起需要的高度时不会受阻。
- 确保锁定轮子并应用制动器

 升起或降下支架期间，检查确保灯具未打开且电缆未接触立柱，防止意外损坏。

 确保已正确拧紧旋钮"Q" (图11)，防止其松动和意外掉落。

定位后，向外转动轮子以获得最大的稳定性。(12)


锁定轮子并应用制动器"R" (图12)

通过顺时针转动把手"Q" (图11) 来升起负载，作为辅助安全锁的红色按钮"S" (图11) 将在升起立柱时振动 (在升起过程中请勿按下)。

注意：如果升起立柱时出现困难，请检查以下情况：

- 负载是否超过支架的规定承载能力。
- 运输过程中是否损坏了任何立柱。
- 是否存在障碍物 (天花板、栏杆等)。

警告

 切勿在负载升起后移动支架。

降下支架的立柱 13

降下支架前确保无障碍物。

按照以下方式降下立柱：

按下红色按钮，同时稍微升高立柱 (1cm)。


按下红色按钮"S" (图13) 的同时，逆时针方向用力旋转一个把手。


设置后操纵支架 14 和 15

松开轮锁"T" (图14)

通过拉出销"V"并将其旋转90°，松开轮子方向锁定位置"U"。

轮子方向锁定位置"U"允许定义移动方向：可以锁定一个或两个轮子以便选择方向 (图15)。

 切勿在负载升起后移动支架。

 如果支架位于坡度大于5° 的斜面上

- 在移动支架前移除重物
- 不要在设置状态下移动支架，应将支架折叠成折叠状态，以便安全移动支架。

 请勿攀爬或站在支架底部

折叠支架

要折叠支架，请反向执行"把手设置"和"打开底座及调平"步骤

维护和保养提示 16 17 和 18

有关每次的润滑活动，请参阅"润滑操作"一章。

拆下护盖"X"后，通过齿轮箱中的检查孔"W"定期检查升起和降低立柱的链条是否处于良好状态。

通过完全升高和降低支架，定期检查立柱的移动是否平稳且有规律。

任何异常情况、立柱突然移动 (图17) 均必须报告给制造商或授权服务中心。

长期存放之后，建议彻底清洁和检查支架。

定期清洁锁定螺丝和滑动零件上的污物。

清洁操作过程中切勿使用金属工具或尖锐工具。

定期在没有安装负载的情况下移动立柱，检查支架和曲柄盒的状态。(图18)

在多沙环境下使用支架 (海滩、沙漠等)

清除接头、螺纹和轴承上的润滑脂，防止沙子与润滑脂混合后对支架操作造成不良影响。

注意：在沙地条件下使用支架后，确保清洁支架并润滑。

在泥泞和高盐地点使用

在泥泞或高盐地点使用支架之前，应润滑支架的所有接头、螺纹和移动零件。在这种环境下使用之后，必须彻底清洁支架。

在寒冷和潮湿地点使用

确保润滑所有接头、螺纹和轴承。如果要长期在冰点以下温度环境中使用支架，应小心操作，确保安全杆"S" (图13) 功能完全正常。

进行此项检查时，将支架升起几厘米，压下安全杆；重复此操作数次，确保其功能正常。

如果立柱或机构结冰，应尝试除冰，但切勿直接暴露于明火或使用除冰液 (否则会影响接头和轴承)。

备件

如果产品出现缺陷，应将装置退回授权的Videndum Media Solutions服务代理。

立柱调节程序 19 20 21 22 和 23

1. 确保支架立柱关闭，支腿打开且调平 (使用上十字上的气泡)。
2. 将轮子向内转动至径向位置，应用制动器以防止位移。(图19)
3. 在没有负载的情况下，将立柱延伸至最大高度，并用把手将其稍微前后左右移动，查看是否导向良好或是否有任何状况。(图20)
4. 降低立柱直至可以操作导条，但不要完全关闭所有部件。(图21)
5. 要调整立柱的各个部分，请松开导条1和2的螺钉，将导条推进到所需位置，然后重新拧紧导条螺钉。在所需的立柱上执行此操作。(图22)
6. 为了恢复基柱的间隙，拧紧立柱侧面的定位销 (图23)，并减小横向间隙。按中央纹理进行操作 (图23) 恢复其松弛并向前调整立柱。
7. 进行调整并确保拧紧所有螺钉后，延伸立柱并检查该调整是否成功，如果没有，请重复该步骤。

润滑操作 24

请使用通用润滑脂喷雾来润滑标示区域。

对于升降链条，请使用链条通用润滑脂喷雾

1. 轮子旋转锁销"Y"
2. 轮子支架和可移动支腿箍筋"Z"之间的止推轴承
3. 可移动支腿箍筋的枢轴销"AA"
4. 升降链条"AB"

制动器维护 25

在应用制动器的情况下，尝试迫使轮子移动以检查制动轮是否正常工作。如果在施力时轮子开始移动，则必须调整制动器：

1. 松开制动器"AC"
2. 通过松开锁定螺母来解锁制动片调整"AD"

3. 通过拧紧或松开螺纹销调整制动片，直到制动片接触到轮子，然后通过将螺纹销松开1/2圈，将制动片从轮子上移开"AE"
4. 通过推动操纵杆接合制动器，然后通过拧紧锁定螺母将制动片锁定到"AF"和"AG"
5. 再次松开制动器，确保轮子在不接触制动片的情况下自由转动
6. 如上所述，检查制动器调整是否正确

对每个轮子重复上述检查

使用卷扬机或起重装置升起支架 26

使用卷扬机或其他起重装置移动支架时，在三脚架"AH"上部周围（并穿过）使用吊装带（不包括）吊起或放下支架。

吊起或放下支架的过程中，确认支架平衡良好且支腿已固定在位"AI"。

使用吊装带吊起负载时，禁止超过吊装带最大承载能力，并检查吊装带是否已正确固定到支架和起重装置上。

预防措施

使用本产品时切勿超出规定的操作限制。

切勿篡改或改装本产品或其零件，否则会影响产品操作并/或降低安全性。使用损坏的产品（例如因冲击或意外掉落）有可能影响其使用安全。

在此类情况下，应通过manfrotto.com网站上的客户服务直接联系经销商或制造商。

在潮湿环境下使用产品后应擦干，防止引起腐蚀，尤其是在靠海的环境下。

本产品的设计不适合浸入液体中使用。



使用支架时不得无人看管，不得由非专业人士操作。

免责条款

本文档中包含的信息有可能在一段时间后发生变化。

如有必要，请在Manfrotto.com或Avenger.com网站的"产品"部分检查本手册的更新，或者通过"联系我们"部分申请发送更新后的版本。

Videndum Media Solutions对于因不遵守本文档中的所有说明（特别是关于安装、使用和维护本产品的说明）导致人员、物品或动物直接或间接造成的任何损坏不承担责任，也对使用不当或超出正常操作限制使用导致的受伤和损坏不承担责任。

未经Videndum Media Solutions明确授权对本产品进行任何改变或修改均应自动导致免除Videndum Media Solutions方面的任何责任。

用户信息

产品处置和使用的包装材料：

支架：主体结构采用铝和钢制造；橡胶保护

包装：纸、纸板、聚苯乙烯垫、聚乙烯袋

如需处置本产品及其包装，请参阅处置本产品时所在国家/地区的现行法规了解上述材料的处置规定。

感谢您购买Videndum Media Solutions产品。

Videndum Media Solutions保证其产品适合设计用途，并且无材料或制造缺陷。本保修不包括使用不当导致的损坏。

标准保修期的期限依据销售本产品的国家/地区、州/省或地区的现行法规规定。

请保留购买本产品的凭证，维修时需要提供。

制造商保留随时对本手册所述产品进行任何更改的权利，恕不另行通知。

如何延长保修期限：

在上述强制性标准保修的基础上，Videndum Media Solutions还提供最长自购买本产品之日起5年的延期保修。延期保修不影响标准强制保修。如需享受延期保修，您必须在我们的网站：<https://warranty.videndummediasolutions.com>上进行购买注册。

ОБЛАСТЬ ПРИМЕНЕНИЯ

Штатив предназначен для работы в качестве опоры для осветительных приборов, используемых в индустрии кино и ТВ на месте съемки или в студии, он предназначен для использования специально обученными профессиональными пользователями.

ИНСТРУКЦИИ ПО БЕЗОПАСНОЙ ЭКСПЛУАТАЦИИ

1. Перед использованием данного изделия внимательно прочитайте эту инструкцию.
2. Убедитесь, что во время установки и использования изделия вы используете подходящие средства индивидуальной защиты, такие как защитная обувь и рабочие перчатки.
3. Максимальная полезная нагрузка: 80 кг
4. Рабочий диапазон температур: -20...+60°C
5. Убедитесь, что поверхность, на которой предстоит использовать изделие, стабильная и позволяющая выдержать вес штатива и полезной нагрузки.
6. Перед тем как выставлять штатив по месту и выполнять любые виды регулировки или перемещений, убедитесь в отсутствии препятствий, электрокабелей или источников опасности, расположенных на площадке, где находится штатив и полезная нагрузка.
7. Данное изделие должно использоваться только опытным персоналом.
8. Убедитесь, что центральная стойка идеально выровнена, прежде чем пытаться поднять какой-либо закрепленный предмет.
9. Убедитесь, что прикрепленный элемент надежно зафиксирован и полностью устойчив.
10. Все нагрузки следует сбалансировать, особенно в случае использования тавровых балок.
11. Для использования вне помещений на высоте более 2,5 м или в случае ветра рекомендуется устанавливать изделие с использованием анкерных тросов и/или комплектов ветровых распорок (не входят в комплект. 087WBK, продается отдельно).
12. Периодически проверяйте надлежащее состояние штатива (см. раздел СОВЕТЫ ПО ТЕХНИЧЕСКОМУ ОБСЛУЖИВАНИЮ).
13. Во избежание возможных травм держите руки и другие части тела подальше от движущихся частей (см. рисунок).
14. Оператор всегда должен сопровождать штатив и никогда не оставлять его без контроля. Особенно это касается перемещения штатива.
15. При подъеме или спуске по ступенькам или препятствиям высотой более 7 см (2,75 дюйма) штатив следует поднимать над препятствием, чтобы избежать ударов, которые могут повредить или повлиять на работу штатива.
16. При перемещении штатива пользователь должен удерживать его, сохраняя над ним управление и не позволяя ему катиться по инерции или накатом.
17. Прежде чем перемещать штатив или поднимать стойку, убедитесь, что стопорный штифт колеса (12) полностью заблокирован.
18. Штатив предназначен для перемещения при расправленных ножках в соответствии с разделом о настройке основания (4,5 и 6) вдоль плавных волнистых поверхностей, таких как твердый пол, гравий или трава; штатив не следует передвигать по поверхностям с более резким рельефом или через большие препятствия, такие как камни или бордюры.
19. При перемещении штатива стойка всегда должна быть полностью опущена.

ЗАЯВЛЕНИЕ ОБ ОГРАНИЧЕНИИ ОТВЕТСТВЕННОСТИ


Производитель не несет ответственности в следующих случаях:

- Любое использование, не соответствующее данной инструкции.
- Любое использование необученным персоналом.
- Любой случай нарушения норм безопасности.
- Любой случай ремонта с использованием материалов/видов обработки, отличных от указанных производителем.

ТРАНСПОРТИРОВКА 1

Используйте ручку "A", чтобы перемещать штатив в сложенном состоянии с помощью транспортных колес "B".

ПРЕДУПРЕЖДЕНИЕ

 При транспортировке пользователи должны держать штатив только за предоставленные ручки. Не используйте секции стойки или кривошипно-шатунный механизм для перемещения штатива.

РАБОЧАЯ СРЕДА 2 и 3

Штатив следует использовать только на ровных поверхностях.

Штатив оснащен выравнивающими ножками, которые могут компенсировать незначительные перепады уровня земли.

Штатив необходимо устанавливать на прочной поверхности, способной выдержать вес штатива с полезной нагрузкой без продавливания поверхности одним из колес, что может привести к опрокидыванию штатива. Если земля мягкая, подложите под колеса доску "С" (Рис. 2).


При использовании вне помещений на высоте более 2,5 м или в случае ветра рекомендуется устанавливать изделие с помощью анкерных тросов и/или комплекта ветровых распорок (Рис. 3) (не входят в комплект. 087WBK, продается отдельно).

МОНТАЖ**РАСКРЫТИЕ ОСНОВАНИЯ И ВЫРАВНИВАНИЕ 4 5 6**


1. Разблокируйте фиксирующий крюк, чтобы освободить ножку (повторите для двух других ножек) "D" (Рис. 4).
2. Осторожно опустите ножку на землю (повторите для двух других ножек) "E" (Рис. 4).
3. Освободите выравнивающую ножку, потянув пружинный плунжер наружу и опустив ножку из вертикального положения (повторите для двух других ножек) "F" (Рис. 4).
4. Вытащите стопорный штифт и поверните узел колеса в вертикальное положение (повторите для двух других ножек) "G" (Рис. 5).
5. Прикрепите выравнивающую ножку к основанию, потянув предохранительную защелку и закрепив ее в точке "H" (Рис. 5) (повторите для двух других ножек).
6. В этом положении вы можете установить на штатив необходимый светильник, используя функцию загрузки на малой высоте. (См. "УСТАНОВКА ПОЛЕЗНОЙ НАГРУЗКИ НА ШТАТИВ" "I" (Рис. 6)
7. Поверните выравнивающие ножки, чтобы поднять штатив и выровнять основание. Используя два нижних выравнивающих пузырька в качестве ориентира, убедитесь, что пузырек не покидает центральный маркер, чтобы предотвратить возможное опрокидывание штатива и установленного на нем оборудования "J" (Рис. 6).


Примечание: В колесной пластине "K" (Рис. 6) имеются 6 отверстий для выбора направления вращения колеса.


ПРЕДУПРЕЖДЕНИЕ


 Перед использованием убедитесь, что тормоза работают правильно "R" (Рис. 12).


 Когда штатив не перемещают, тормоза всегда должны быть активированы.

 Убедитесь, что изделие правильно выровнено (см. "РАСКРЫТИЕ ОСНОВАНИЯ И ВЫРАВНИВАНИЕ"), прежде чем поднимать стойку.

 Когда узлы выравнивающих ножек отсоединены от стойки, они могут свободно двигаться. Во избежание возможных травм держите руки и другие части тела подальше от движущихся частей "D" (Рис. 4).

 Когда предохранительные защелки узлов выравнивающих ножек сняты с основания, они могут свободно перемещаться. Во избежание возможных травм держите руки и другие части тела подальше от движущихся частей (F) (Рис. 4).

 При позиционировании и вращении узла колеса убедитесь, что руки и другие части тела не касаются движущихся частей "G" (Рис. 5).

 При закреплении колеса в сборе убедитесь, что стопорный штифт правильно расположен в своем гнезде, чтобы предотвратить его выскальзывание и возможное освобождение колеса в сборе.

НАСТРОЙКА РУКОЯТОК 7

Штатив поставляется с ручками "L", повернутыми внутрь.

Поверните рукоятки "L" в рабочее положение:

- 1) Открутите установочные винты "M" против часовой стрелки
- 2) Поднимите рычаги "L", чтобы отцепить штифт "N" от канала оси рукоятки "O".
- 3) Поверните рукоятку "L" в рабочее положение.
- 4-5) Зафиксируйте рукоятку "L" в этом положении, затянув установочный винт "M" по часовой стрелке так, чтобы штифт "N" зафиксировался в канале оси рукоятки "O".

УСТАНОВКА ПОЛЕЗНОЙ НАГРУЗКИ НА ШТАТИВ 8 9 и 10

Убедитесь, что штатив находится в рабочем положении, он выровнен по вертикальной оси.


Отвинтите стопорный винт "P" (Рис. 8) перед тем, как вставить втулку светильника в гнездо 28 мм в верхней части штатива. Для фиксации в этом положении затяните стопорный винт "P" (Рис. 8).

На стендах, расположенных на высоте более 2,5 м или в случае ветра рекомендуется устанавливать изделие с использованием анкерных тросов и/или комплекта ветровых распорок (Рис. 9) (не входят в комплект. 087WBK, продается отдельно).

Все нагрузки должны быть сбалансированы, особенно при использовании Т-образных стержней и т. д. (Рис. 10).

ПРЕДУПРЕЖДЕНИЕ

 НЕ наклоняйте штатив, чтобы установить оборудование.

 Перед установкой груза проверьте целостность изделия.

 Прежде чем поднимать стойку, убедитесь, что стопорный винт "P" (Рис. 8) затянут.

 Убедитесь, что штатив не будет мешать при подъеме на желаемую высоту.


ПОДЪЕМ СТОЕК ШТАТИВА 11 и 12

Убедитесь, что штатив не будет мешать при подъеме на желаемую высоту.

Перед регулировкой высоты проверьте следующее:

- Убедитесь, что штатив правильно установлен в рабочее положение и правильно выровнен.
- Убедитесь, что нагрузка не превышает максимальное значение: 80 кг
- Убедитесь, что светильник или удлинители правильно сбалансированы и зафиксированы.
- Убедитесь, что штатив не будет мешать при подъеме на нужную высоту.
- Обязательно заблокируйте колеса и включите тормоза.

 Проверьте, что осветительные приборы выключены, когда поднимаете или опускаете штатив, и что электрокабели не касаются стойки.

 Убедитесь, что вы правильно затянули ручку "Q" (Рис. 11), чтобы предотвратить ее случайное ослабление и падение.

В рабочем положении поверните колесо наружу для достижения максимальной устойчивости. (12)

Заблокируйте колеса и включите тормоза "R" (Рис. 12).

Поднимите груз, поворачивая рукоятки "Q" (Рис. 11) по часовой стрелке, красная кнопка "S" (Рис. 11) является дополнительным предохранителем, она будет вибрировать при подъеме стойки (НЕ НАЖИМАЙТЕ ЕЕ ВО ВРЕМЯ ПОДЪЕМА).

Примечание: в случае сложностей в процессе поднимания стоек проверьте следующее:

- Не превышает ли нагрузка значения из спецификации штатива.
- Были ли какие-либо стойки повреждены при транспортировке.
- Если имеются препятствия (потолок, перила и пр.).

ПРЕДУПРЕЖДЕНИЕ

ЗАПРЕЩАЕТСЯ ПЕРЕМЕЩАТЬ ШТАТИВ С ПОДНЯТОЙ ПОЛЕЗНОЙ НАГРУЗКОЙ.

ОПУСКАНИЕ СТОЕК ШТАТИВА 13

Перед опусканием штатива убедитесь в отсутствии препятствий.

Опустите стойки следующим образом

Нажмите красную кнопку вниз и одновременно слегка приподнимите стойку (на 1 см).

Нажав красную кнопку "S" (Рис. 13) вниз, с усилием поверните одну рукоятку против часовой стрелки.

УПРАВЛЕНИЕ ШТАТИВОМ ПОСЛЕ УСТАНОВКИ 14 и 15

Освободите замки колес "Т" (Рис. 14).

Разблокируйте направление вращения колеса "U", вытащив штифт "V" и повернув его на 90°.

Положение блокировки направления колеса "U" позволяет определить направление движения: можно заблокировать одно или два колеса, чтобы выбрать направление (Рис. 15).



ЗАПРЕЩАЕТСЯ ПЕРЕМЕЩАТЬ ШТАТИВ С ПОДНЯТОЙ ПОЛЕЗНОЙ НАГРУЗКОЙ.



ЕСЛИ ШТАТИВ НАХОДИТСЯ НА НАКЛОННОЙ ПЛОСКОСТИ С НАКЛОНОМ БОЛЕЕ 5°

- Снимите груз перед перемещением штатива.
- Не перемещайте штатив в установленном положении, вместо этого сложите штатив, чтобы безопасно перемещать его.



Не взбирайтесь и не становитесь на основание штатива

СКЛАДЫВАНИЕ ШТАТИВА

Чтобы сложить штатив, выполните действия "УСТАНОВКА РУЧЕК" и "РАСКРЫТИЕ ОСНОВАНИЯ И ВЫРАВНИВАНИЕ" в обратном порядке.

СОВЕТЫ ПО ТЕХНИЧЕСКОМУ ОБСЛУЖИВАНИЮ 16 17 и 18

Информацию о каждом месте смазки см. в главе "СМАЗКА".

Периодически проверяйте исправность цепей, поднимающих и опускающих стойки, через смотровые отверстия "W" в редукторе после снятия колпачков "X".

Периодически проверяйте плавность и равномерность движения стоек, полностью поднимая и опуская штатив. О любых аномалиях и внезапных движениях стоек (Рис. 17) необходимо сообщать производителю или в авторизованный сервисный центр.

После длительного хранения мы рекомендуем выполнить тщательную очистку и проверку штатива.

Регулярно удаляйте грязь и мусор со стопорных винтов и скользящих деталей.

В процессе очистки запрещается использовать металлические или острые инструменты.

Регулярно проверяйте состояние штатива и кривошипных коробок, передвигая рукояткой стойки без грузов. (Рис. 18)

ЭКСПЛУАТАЦИЯ НА ПЕСЧАНЫХ ГРУНТАХ (ПЛЯЖИ, ПУСТЫНЯ И ПР.)

Удалите консистентную смазку с соединений, резьбы и подшипников, чтобы предотвратить смешивание песка со смазкой, что отрицательно скажется на работе штатива.

Примечание: После использования штатива в условиях воздействия песка убедитесь, что штатив очищен и смазка восстановлена.

ЗАБОЛОЧЕННЫЕ И ЗАСОЛЕННЫЕ МЕСТА

Перед эксплуатацией штатива на заболоченных и засоленных грунтах необходимо смазать все места соединений, резьбы и подвижные детали штатива. После эксплуатации в этих условиях штатив необходимо тщательно очистить.

ЭКСПЛУАТАЦИЯ В ХОЛОДНЫХ И СЫРЫХ ЛОКАЦИЯХ

Проверьте, что все места соединений, резьбы и подшипники смазаны. Если штатив будут эксплуатировать в течение длительного времени при отрицательных температурах, позаботьтесь о том, чтобы рычаг безопасности "S" (Рис. 13) находился в полностью рабочем состоянии.

Для проверки передвиньте рукояткой штатив на несколько сантиметров и нажмите рычаг безопасности; повторите это действие несколько раз, чтобы убедиться в надлежащей работе.

Если наблюдается намерзание льда на стойки изделия, попробуйте снять лед, но не подвергайте конструкцию воздействию открытого огня и не используйте противобледенительную жидкость (она может влиять на места соединений и подшипники).

ЗАПАСНЫЕ ЧАСТИ

В случае выхода изделия из строя оно подлежит возврату авторизованному сервисному агенту Videndum Media Solutions.

ПРОЦЕДУРА РЕГУЛИРОВАНИЯ СТОЙКИ 19 20 21 22 и 23

1. Убедитесь, что на штативе стойка закрыта, а ножки открыты и выровнены (используйте пузырек на верхней поперечине).
2. Поверните колеса внутрь в радиальное положение и включите тормоз, чтобы предотвратить смещение. (Рис. 19)
3. Выдвиньте стойку на максимальную высоту без груза и немного подвигайте ее вперед-назад, вправо и влево с помощью рукоятки, чтобы проверить, хорошо ли она направляется и нет ли каких-либо люфтов. (Рис. 20)
4. Опускайте стойку до тех пор, пока направляющие не станут доступными, но не закрывайте все полностью. (Рис. 21)
5. Для регулировки различных секций стойки отвинтите винты направляющих 1 и 2, выдвиньте направляющую в требуемое положение и снова прикрутите направляющие. Выполните эти действия на нужных стойках. (Рис. 22)
6. Чтобы восстановить зазоры опорной стойки, вкрутите дюбели, имеющиеся на боковой поверхности стойки (Рис. 23), и уменьшите боковые зазоры. Воздействуйте на центральный узел (Рис. 23). Устранение провисания и регулировка стойки в переднем направлении.
7. После того, как вы выполнили регулировку и убедились, что затянули все винты, выдвиньте стойку и убедитесь, что регулировка прошла успешно, если нет, повторите процедуру.

СМАЗКА 24

Чтобы смазать указанную область, используйте обычный спрей для смазки.

Для подъемных цепей используйте спрей-смазку для цепей.

1. Фиксирующий штифт вращения колеса "Y"
2. Упорный подшипник между колесным кронштейном и подвижным амортизирующим стремением "Z"
3. Шкворень подвижного амортизирующего стремени "AA"
4. Подъемные цепи "AB"

ОБСЛУЖИВАНИЕ ТОРМОЗОВ 25

Проверьте правильность функционирования колес на тормозе, попробовав заставить колесо двигаться с включенным тормозом, если колесо начинает двигаться при приложении усилия, тормоз необходимо отрегулировать:

1. Отпустите тормоз "AC".
2. Разблокируйте регулировку тормозных колодок, отвернув стопорную гайку "AD".
3. Отрегулируйте тормозную колодку, затягивая или ослабляя резьбовой штифт, пока колодка не коснется колеса, затем отодвиньте тормозную колодку от колеса, ослабив резьбовой штифт на ½ оборота "AE".
4. Активируйте тормоз, нажав на рычаг, а затем зафиксируйте тормозную колодку, затянув стопорную гайку "AF" и "AG".
5. Снова отпустите тормоз и убедитесь, что колесо свободно вращается, не касаясь тормозной колодки.
6. Проверьте правильность регулировки тормоза, как описано выше.

Повторите проверку для каждого колеса.

ПОДЪЕМ ШТАТИВА С ПОМОЩЬЮ ЛЕБЕДКИ ИЛИ ПОДЪЕМНОГО ПРИСПОСОБЛЕНИЯ ²⁶

Чтобы переместить штатив с помощью лебедки или другого подъемного приспособления, поднимите или опустите штатив с помощью ленточной стропы (не входит в комплект) проведенной вокруг и через верхнюю крестовину "AH".

При подъеме или опускании убедитесь, что штатив хорошо сбалансирован и что ножки надежно закреплены "AI". Запрещается нагружать ленточные стропы выше их максимальной несущей способности; проверяйте их крепления на штативе и подъемных приспособлениях.

МЕРЫ ПРЕДОСТОРОЖНОСТИ

Запрещается эксплуатировать изделие вне пределов эксплуатационных ограничений.

Не вскрывайте и не модифицируйте изделие или его детали, поскольку это может поставить под угрозу функционирование и/или безопасность изделия. Использование поврежденного изделия, например, вследствие ударов или случайных падений, может нарушить безопасную эксплуатацию изделия.

В таких случаях обращайтесь к торговому представителю или непосредственно к производителю через службу поддержки клиентов на сайте manfrotto.com.

Высушите изделие после использования во влажных условиях, чтобы избежать коррозии, особенно в случае использования поблизости от морской воды.

Изделие не предназначено для использования погруженным в жидкости.



Запрещается оставлять штатив без присмотра или предоставлять к нему доступ непрофессионалам.

ОТКАЗ ОТ ОТВЕТСТВЕННОСТИ

Информация, содержащаяся в настоящем документе, со временем может изменяться.

При необходимости проверьте наличие обновлений данного руководства в разделе Products (Продукция) на сайте Manfrotto.com или Avenger.com или запросите обновленную копию в разделе Contact us (Контактные данные).

Videndum Media Solutions не несет ответственности за любые повреждения, которые могут, прямо или косвенно, иметь причиной действия людей, объектов или животных, как следствие невыполнения инструкций, изложенных в настоящем документе (особенно в отношении монтажа, использования и технического обслуживания изделия), а также за травмы и повреждения, возникшие вследствие ненадлежащего использования или использования в условиях, отличных от определенных в эксплуатационных ограничениях.

Любые отклонения или изменения, внесенные в конструкцию изделия без разрешения Videndum Media Solutions автоматически приводят к отмене любых договорных обязательств со стороны Videndum Media Solutions.

ИНФОРМАЦИЯ О ПОЛЬЗОВАТЕЛЕ

Утилизация изделия и используемые упаковочные материалы:

Штатив: основная конструкция выполнена из алюминия и стали; защитный слой из резины

Упаковка: бумага, картон, полистироловые вставки, полиэтиленовые пакеты

Чтобы утилизировать изделие и его упаковку, прочитайте правила, действующие в стране, в которой изделие утилизируется.

Благодарим за покупку изделия Videndum Media Solutions.

Videndum Media Solutions гарантирует пригодность своих изделий для целей, с которыми они были сконструированы, отсутствие дефектов в материалах и качество изготовления. Эта гарантия не покрывает случаи повреждений или ненадлежащего использования.

Срок стандартной гарантии определяется действующим законодательством страны, штата или региона, где изделие было продано.

Сохраняйте чек покупки изделия для предъявления в случае ремонта.

Производитель оставляет за собой право вносить любые изменения в изделие, описанное в данном руководстве, в любое время и без предварительного уведомления.

Как продлить гарантийный срок:

Помимо вышеуказанных обязательных стандартных условий Videndum Media Solutions предлагает продление гарантии до 5 лет с даты изготовления изделия. Продление гарантии не влияет на стандартные обязательные условия. Чтобы воспользоваться продлением гарантийного срока, необходимо зарегистрировать свою покупку на нашем сайте: <https://warranty.videndummediasolutions.com>.